

Gazebo-works
Too, Incorporated
"Where Quality Comes First"

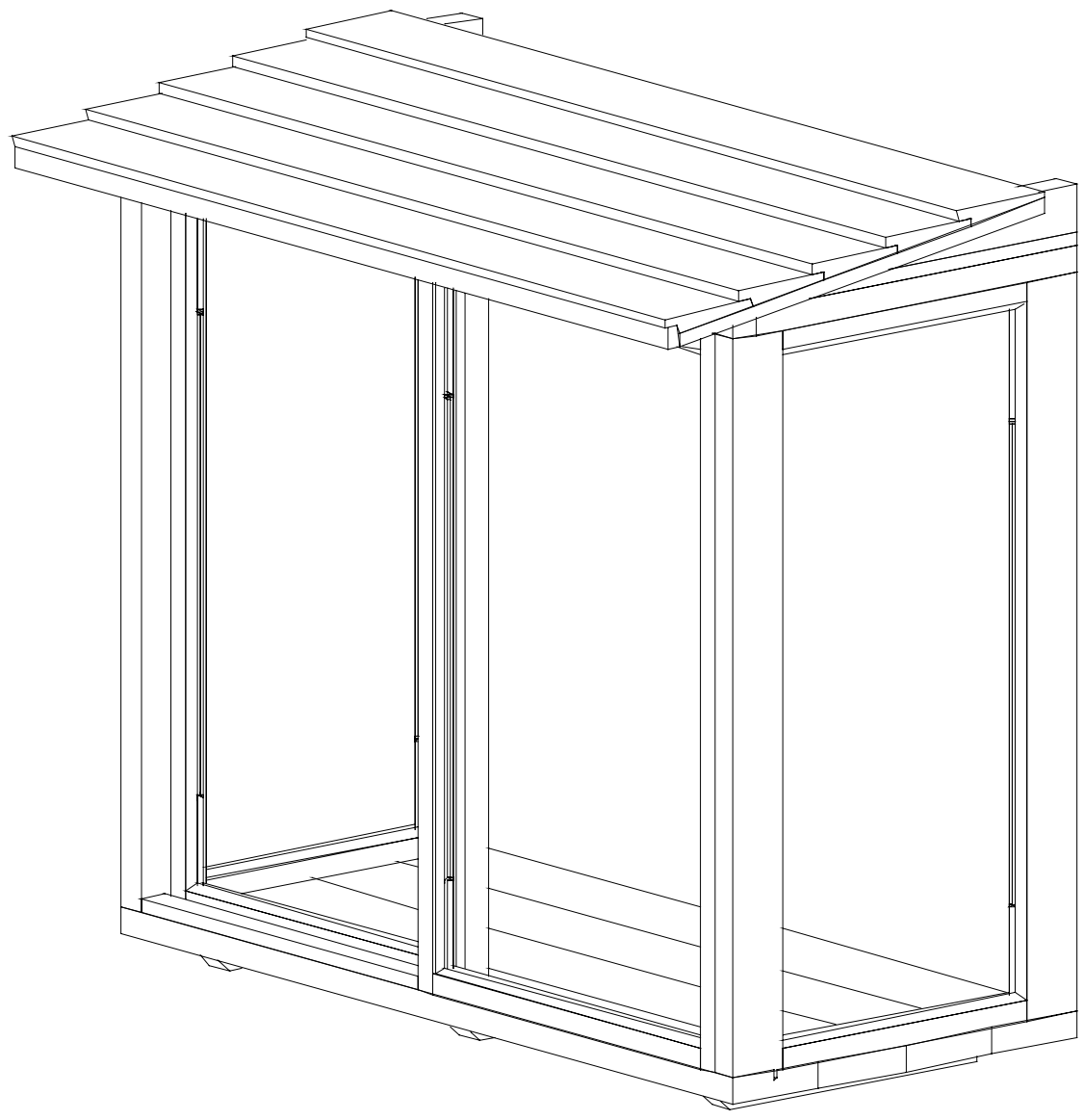
P.O. Box 5257
Central Point, OR 97502
www.gazeboworkstoo.com
info@gazeboworkstoo.com

(888) 367-7920 Toll Free
(541) 664-2000
(541) 664-6189 Fax

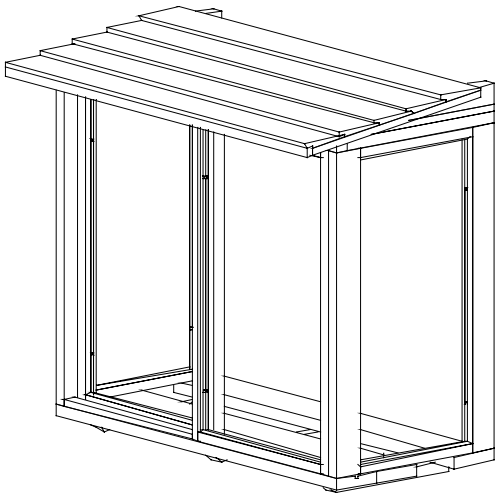
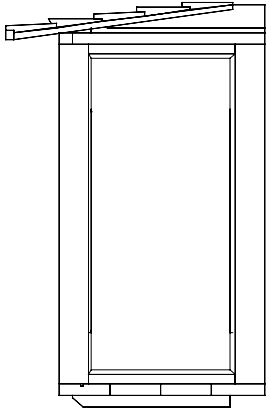
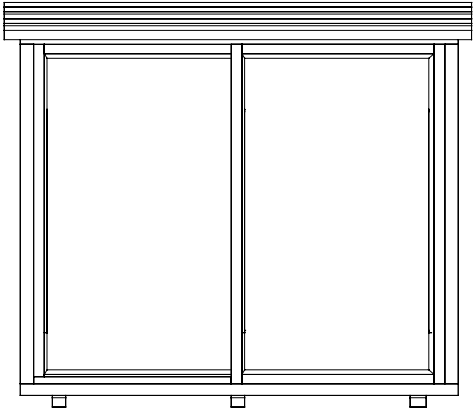
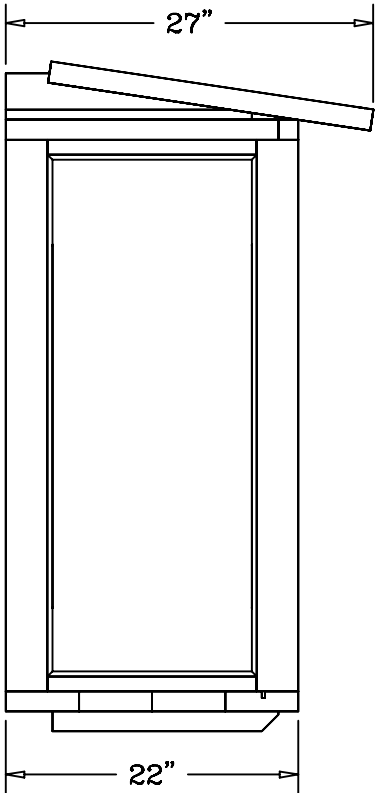
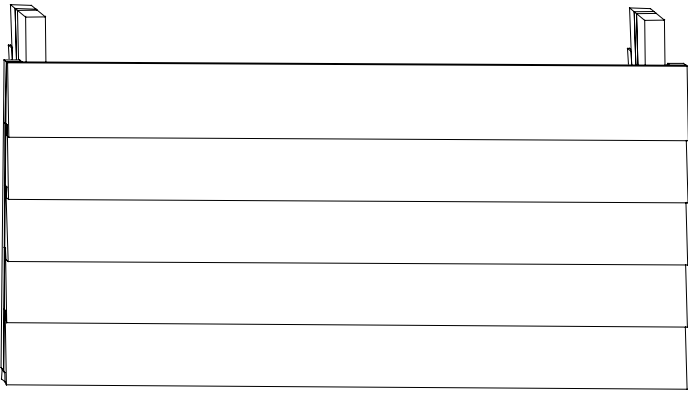
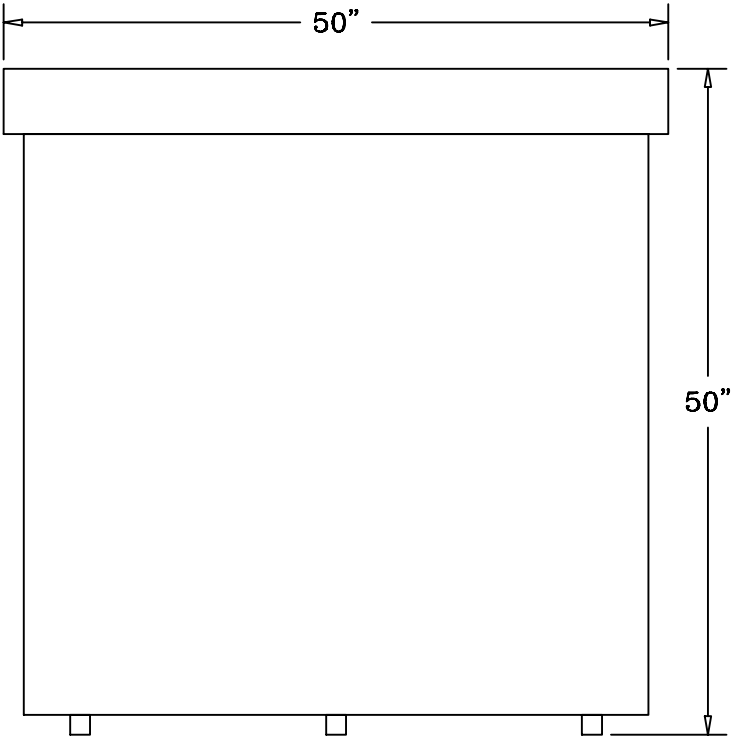
Customer Service
Monday - Friday
8:00 AM - 5:00 PM PST

Bay Window Wood or Deluxe Roof

Assembly Instructions



Bay Window Foot Print



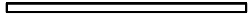
Bay Window

with Wood or Deluxe Metal Roof

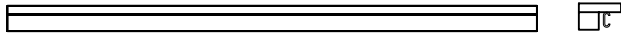
Manufacturer recommends assembly on a solid flat surface; cement or deck.

Measurements: Height 50"
Width 50"
Depth 27 1/2"

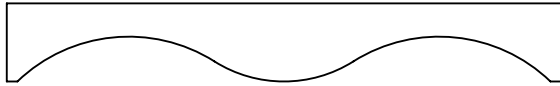
Window Spacer



Window Track Assembly



Scalloped Arch

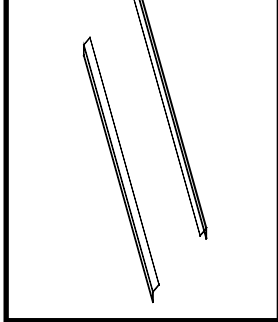


Parts Inventory

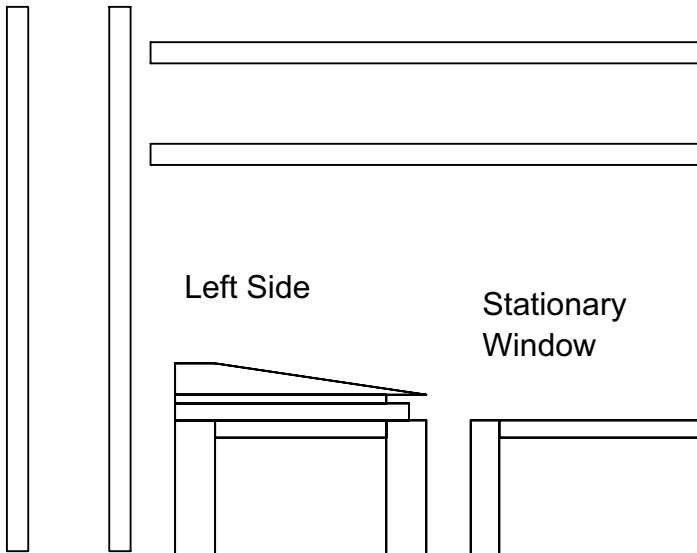
Roof Assembly



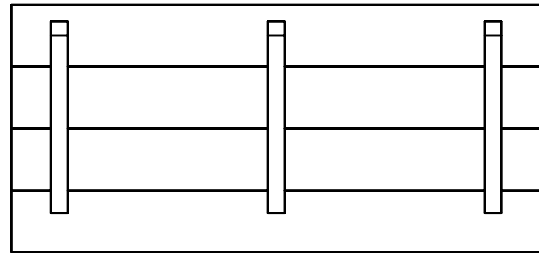
Side Trim for Metal Roof Option



Wall Frame Unassembled



Bay Base Assembly

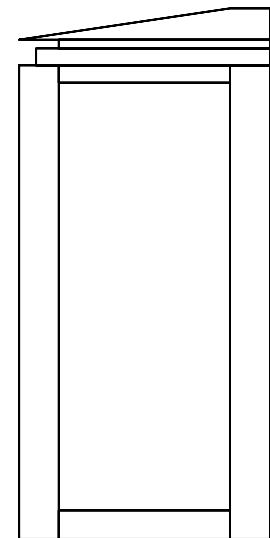
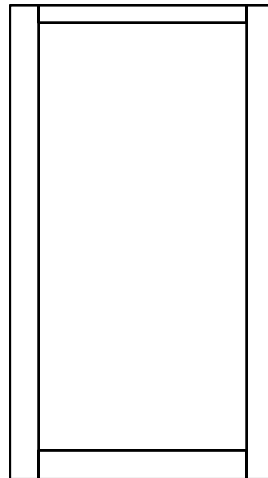
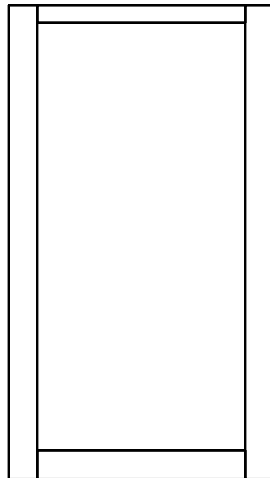
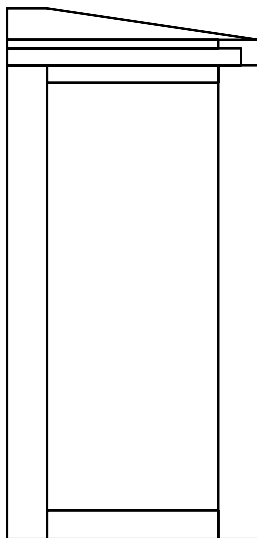


Left Side

Stationary Window

Sliding Window

Right Side



1 Hardware Package

Pack Contents:

- 1 Pkg. 2 1/2" Zinc Screws
- 1 Assembly Instructions
- 1 Angle Window Latch

Step 1

Place the bar/base assembly on a level surface as shown. Track groove should face outward and be to the bottom. Determine which side will contain the stationary window.

(See Example 2-1)

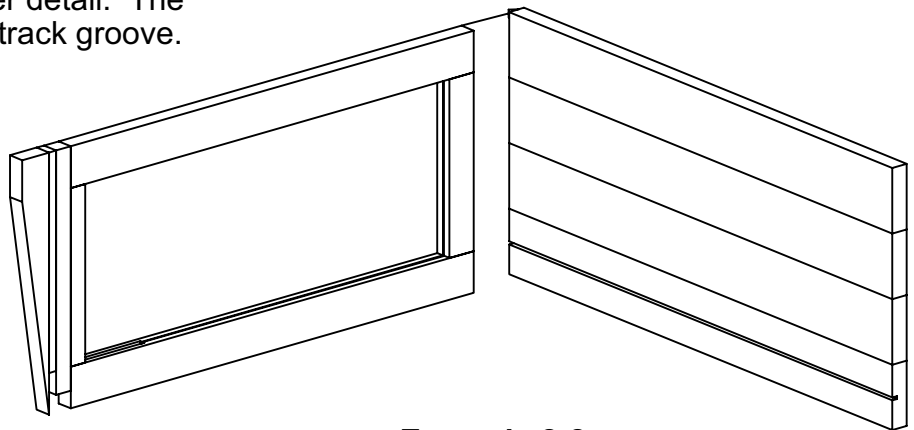
Example 2-1



Step 2

Position the side wall which will abut the stationary window flush to the base on three sides. The outside of the side wall has the window router detail. The tapered roof support faces the base track groove.

(See Example 2-2)



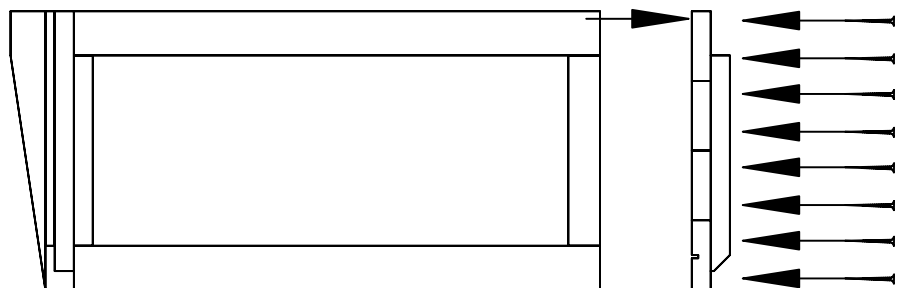
Example 2-2

Step 3

Screw up through the base bottom into the wall bottom frame in eight places, evenly spaced.

(See Example 2-3)

Side View



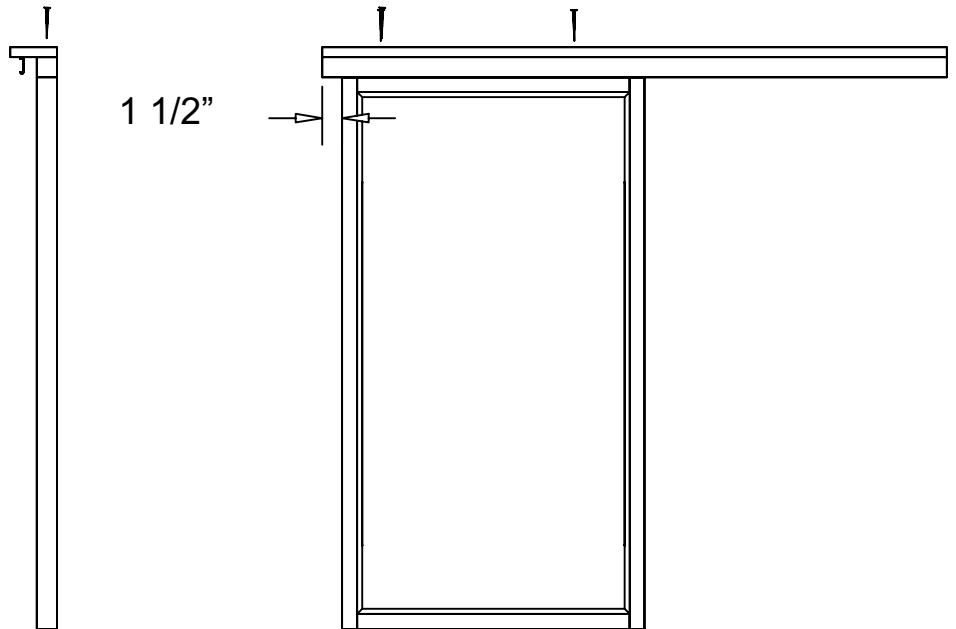
Example 2-3

Step 4

Place the window track assembly on top of the stationary window, keeping in mind which side is to be stationary. Screw together in two places using the pre-drilled holes supplied. Allow 1 1/2 inches clearance from the end for final assembly.

(See Example 3-1)

Side View

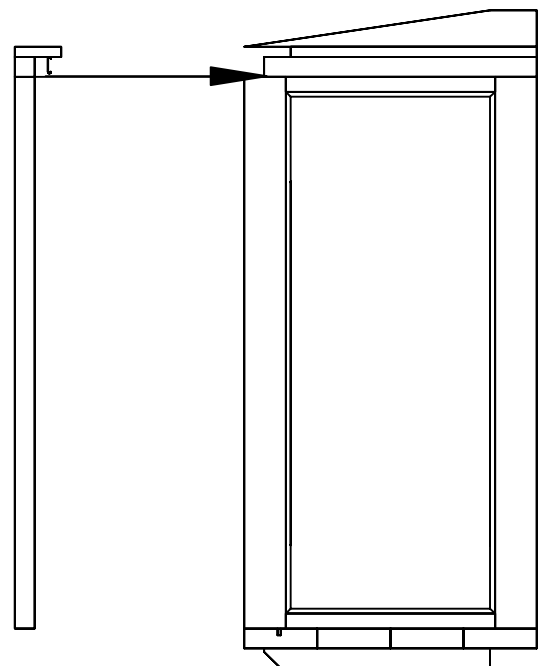


Example 3-1

Step 5

Slide the stationary window/track assembly into position, carefully aligning all edges flush.

(See Example 3-2)

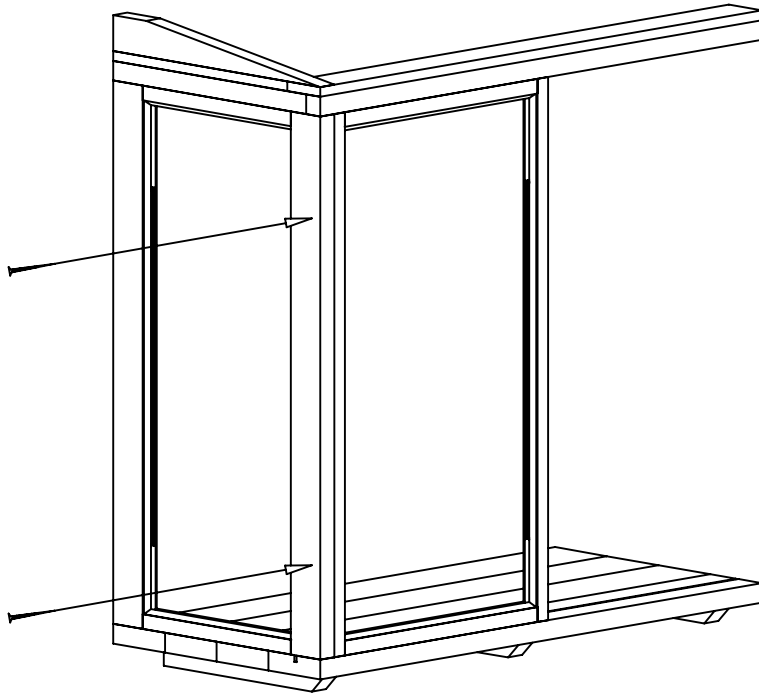


Example 3-2

Step 6

Screw side and stationary window together in two places.

(See Example 4-1)

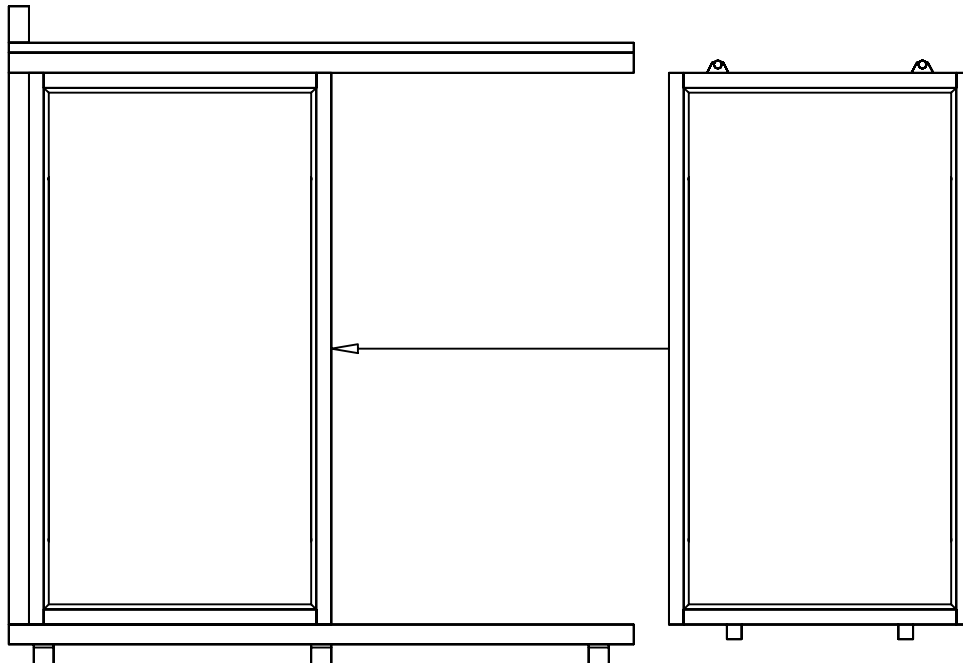


Example 4-1

Step 7

Place the sliding window onto the track. Be sure to align the bottom tabs with the groove cut into the base.

(See Example 4-2)

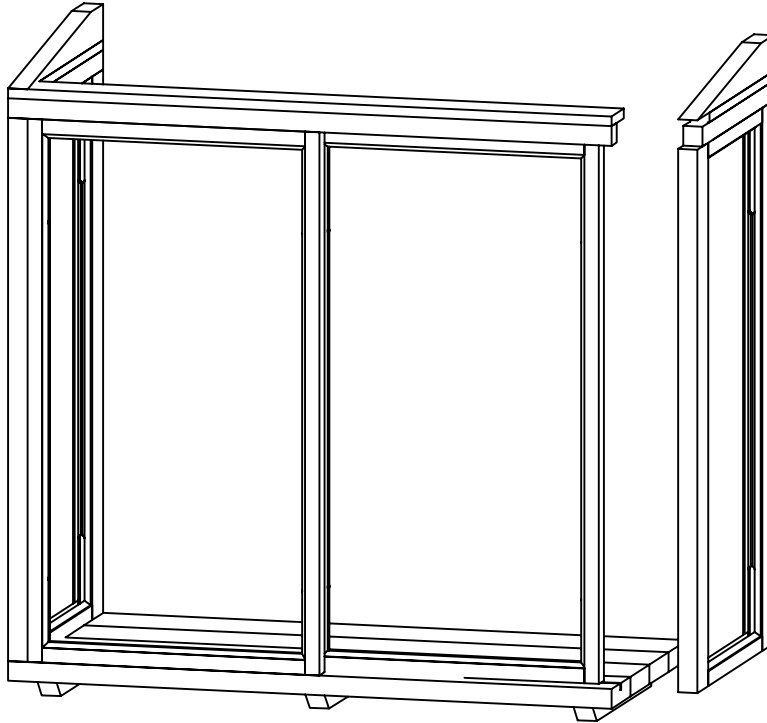


Example 4-2

Step 8

Add the remaining outside wall and secure as in Step 3 and Step 6.

(See Example 5-1)

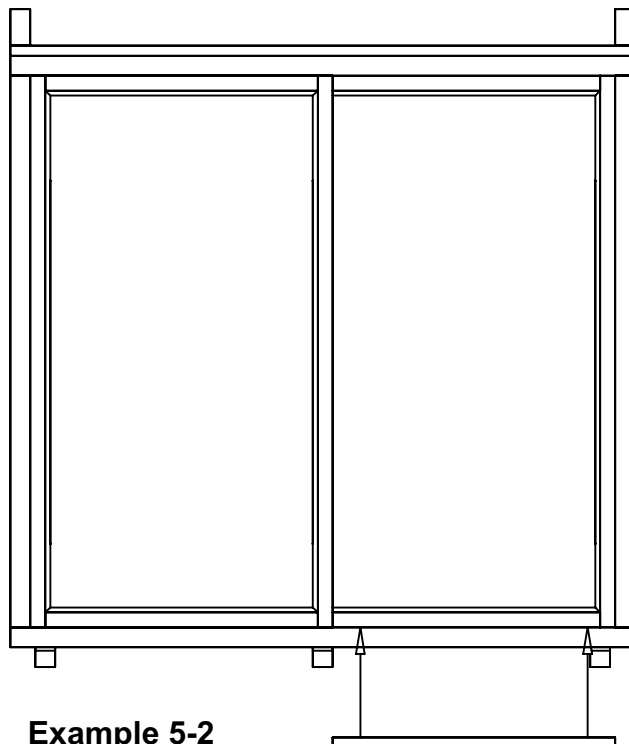


Example 5-1

Step 9

Place the window spacer on top of the bar between the stationary window and last wall and screw into place.

(See Example 5-2)



Example 5-2

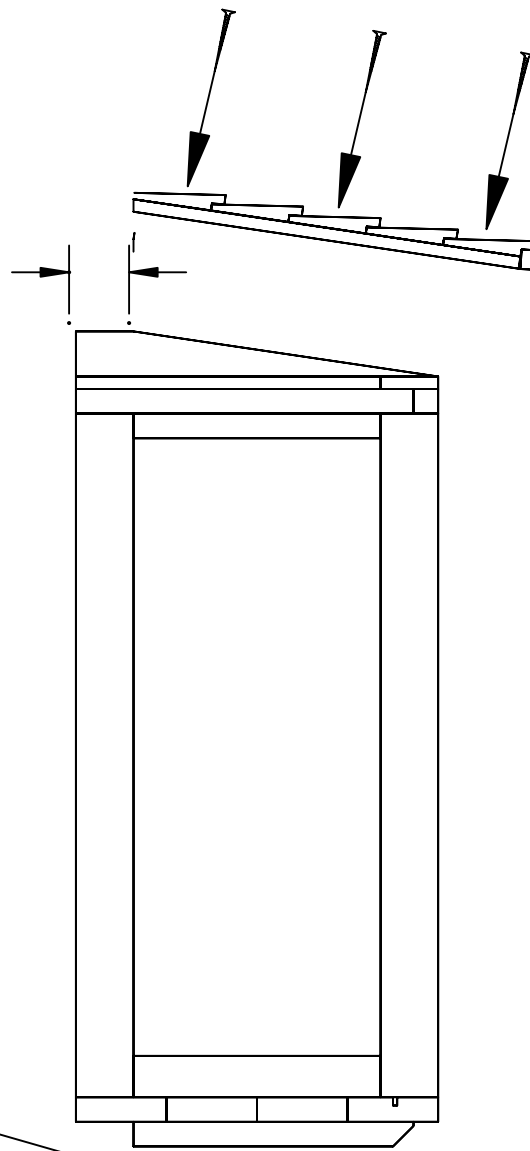
Step 10

Place back edge of roof assembly at 3 1/2" from back of bay window assembly. Center the roof evenly on the window frame and screw together using the six pre-drilled holes.

(See Example 6-1)

Three screws per side

3 1/2"

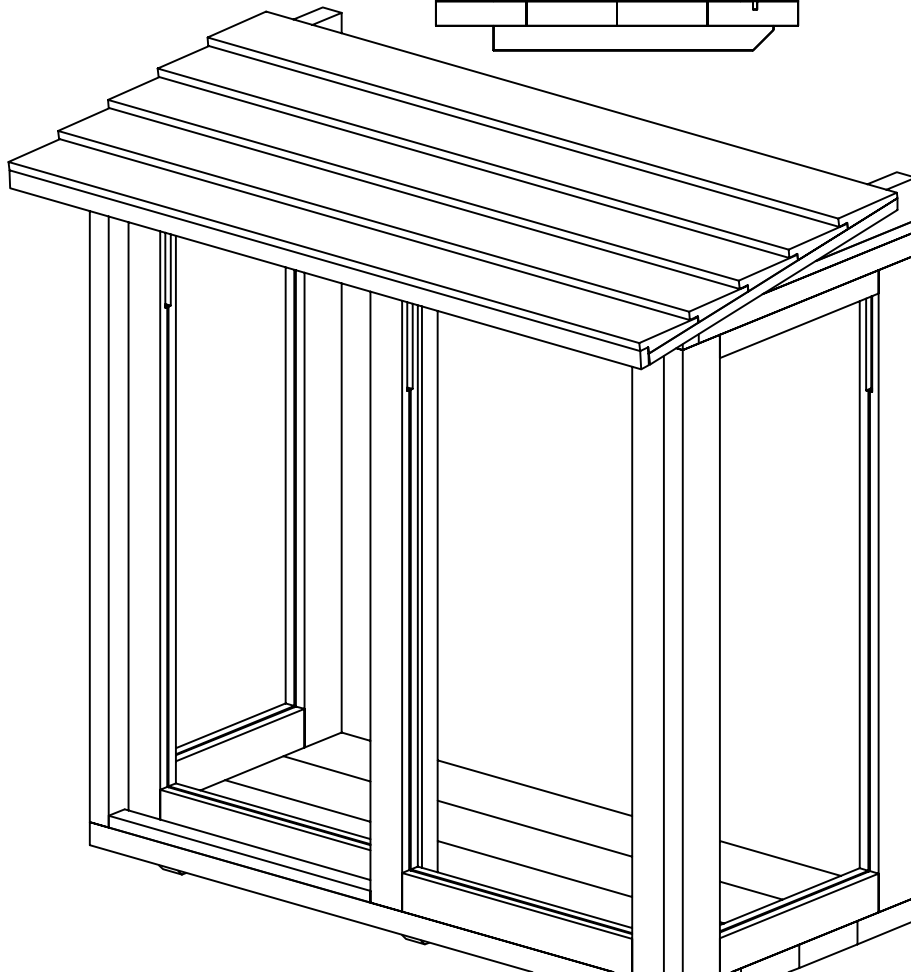


Example 6-1

Step 11

Set finished assembly aside and assemble gazebo.

(See Example 6-2)

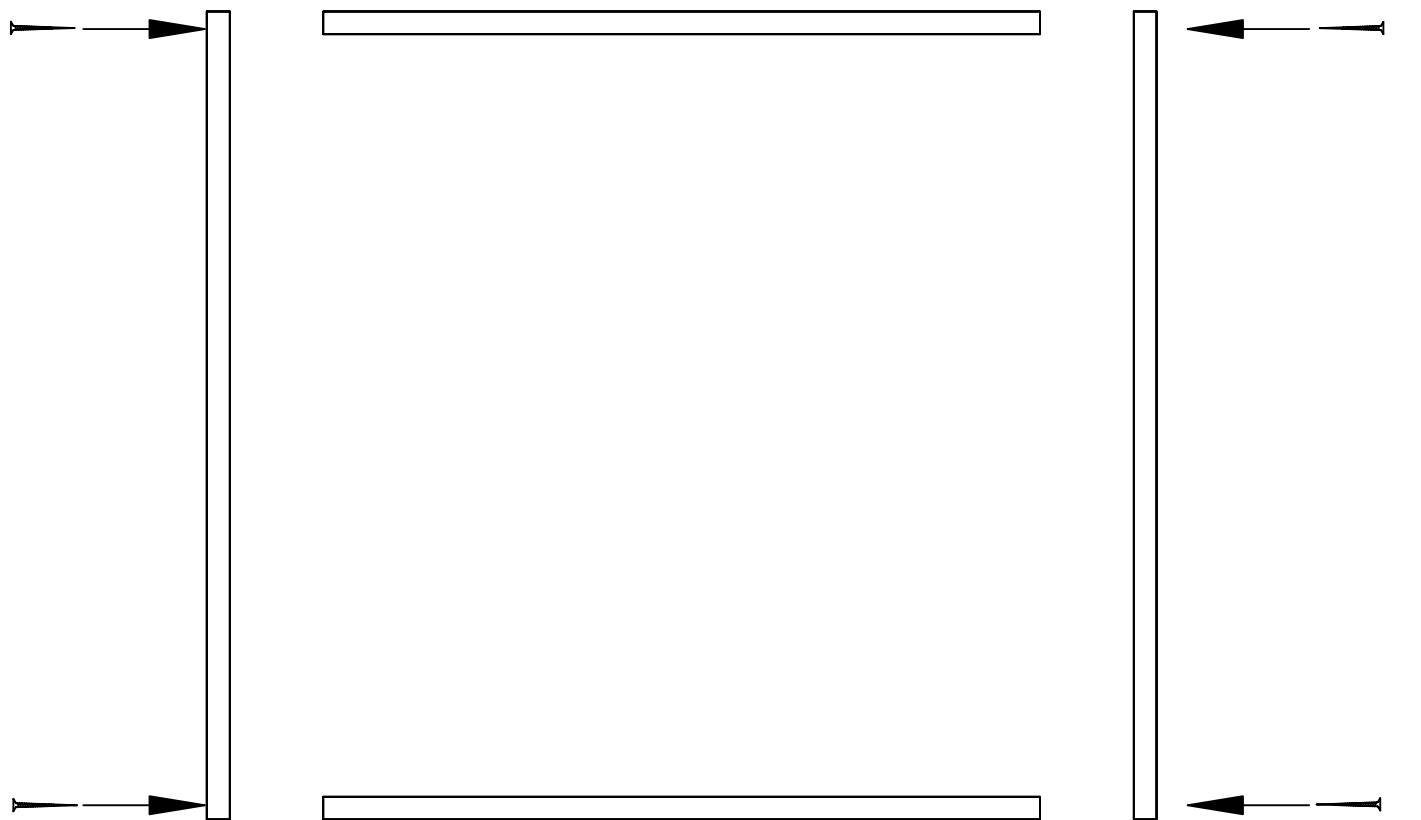


Example 6-2

Step 12

Assemble the 51 X 50 wall frame.

(See Example 7-1)

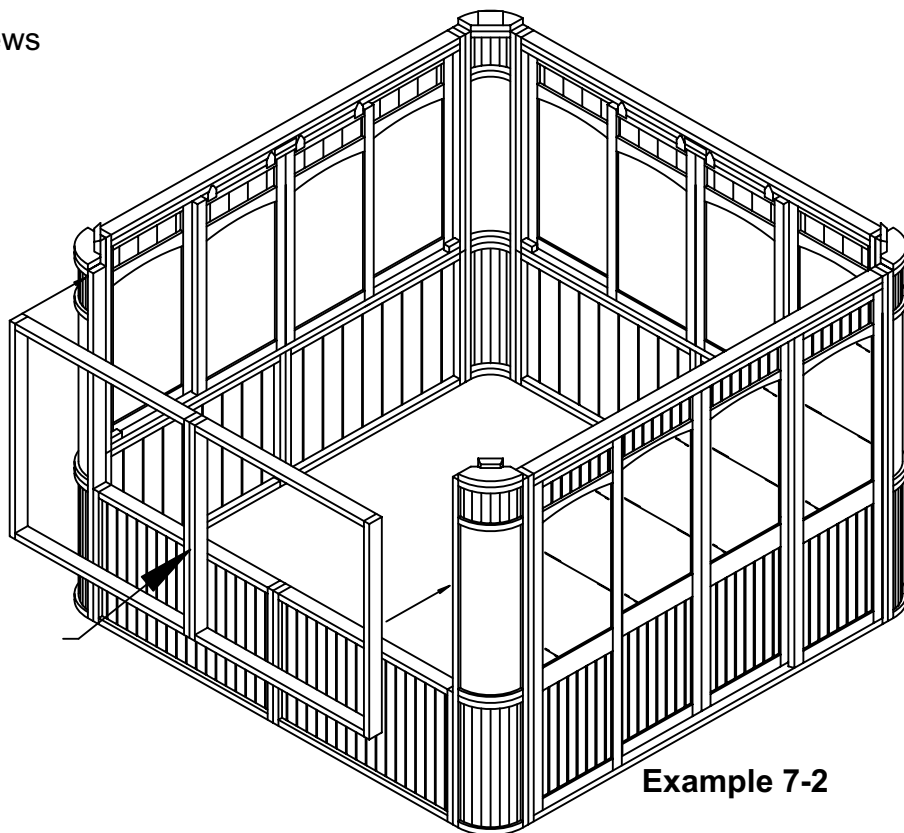


Example 7-1

Step 13

Install bay window frame(s), three screws in the side frame(s) and three across the bottom(s).

(See Example 7-2)

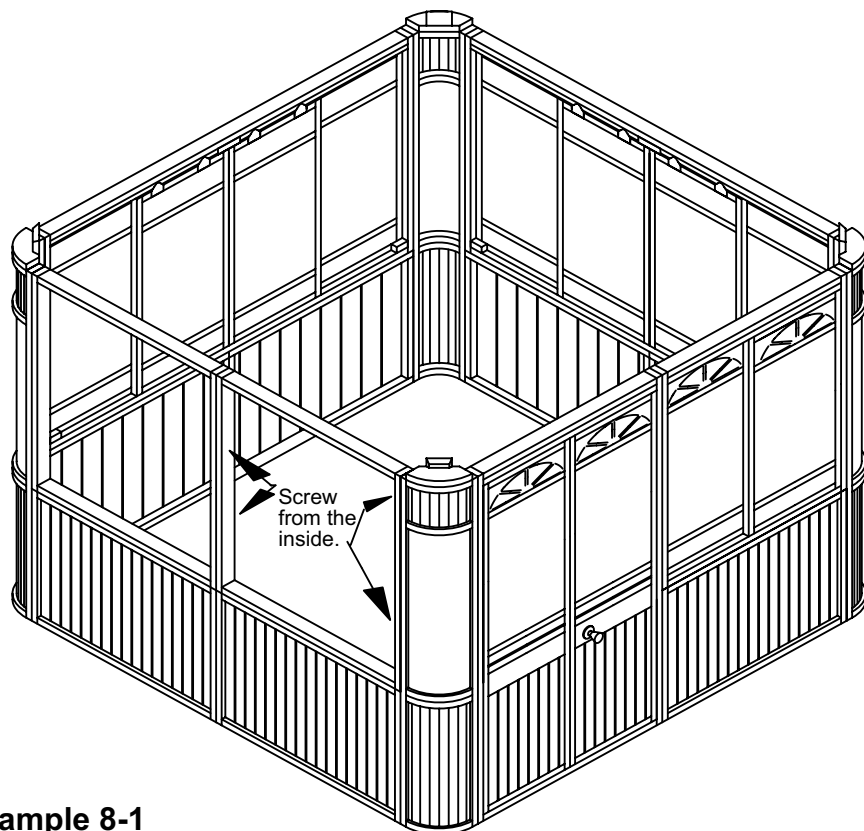


Note: Where two frames come together, angle screws so they don't protrude out the opposite wall frame.

Step 14

Once the frame(s) is installed insert the bay window and screw through the inner walls into the frame side walls.

(See Example 8-1)

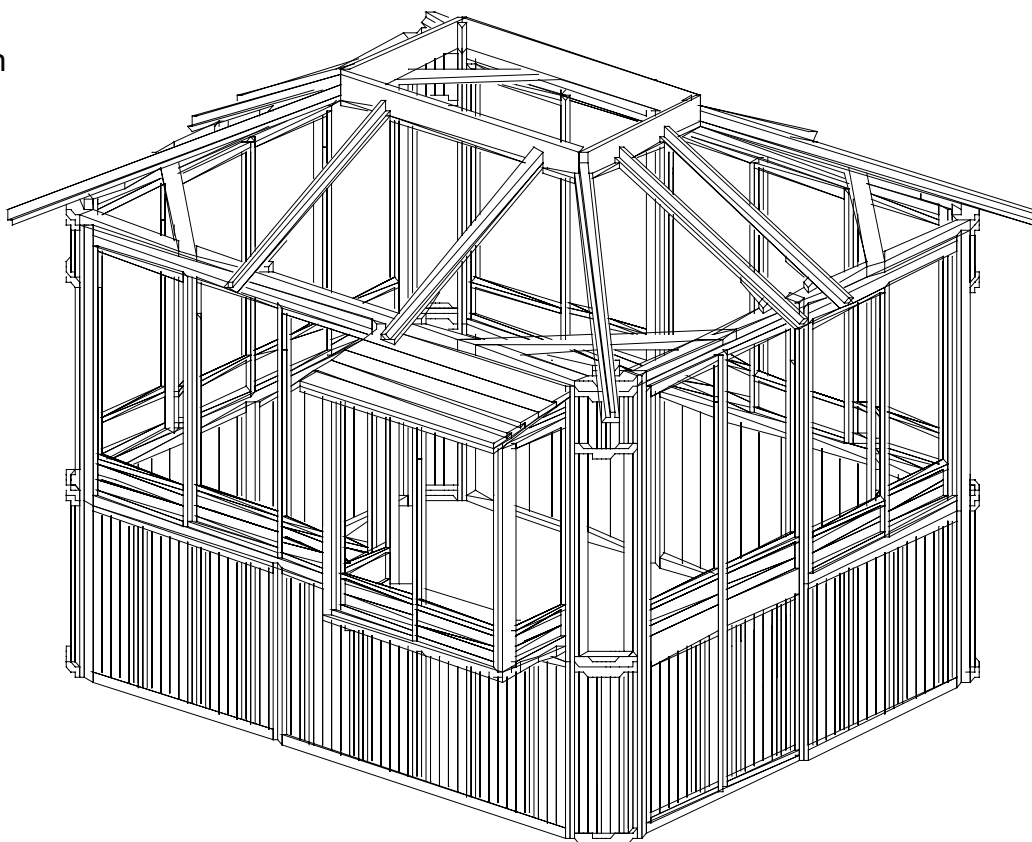


Example 8-1

Step 15

Finish gazebo assembly as shown in the regular assembly instructions.

(See Example 8-2)



Example 8-2