



Gazebo-works
Too, Incorporated

"Where Quality Comes First"

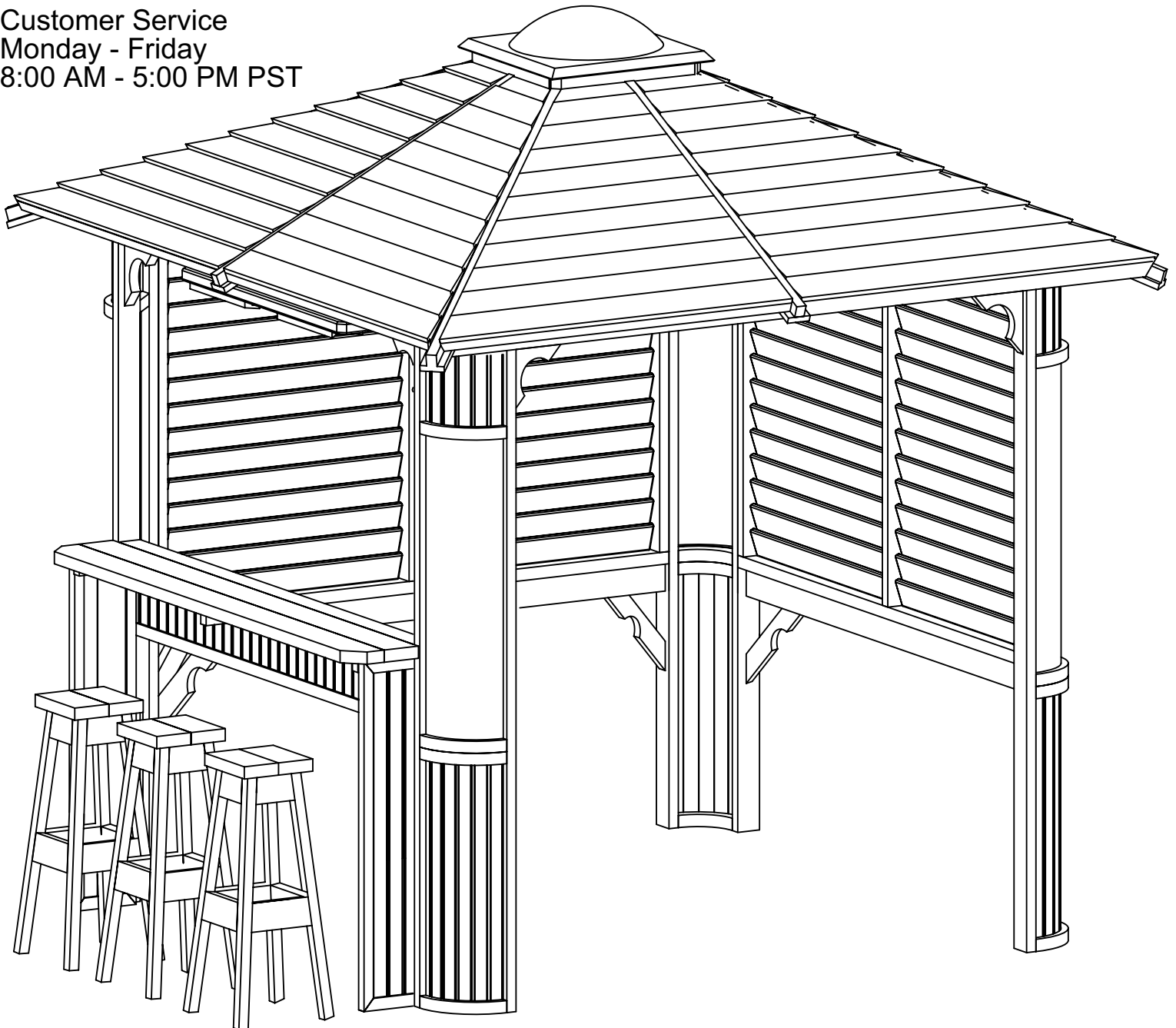
P.O. Box 5257
Central Point, OR 97502
www.gazeboworkstoo.com
info@gazeboworkstoo.com

(888) 367-7920 Toll Free
(541) 664-2000
(541) 664-6189 Fax

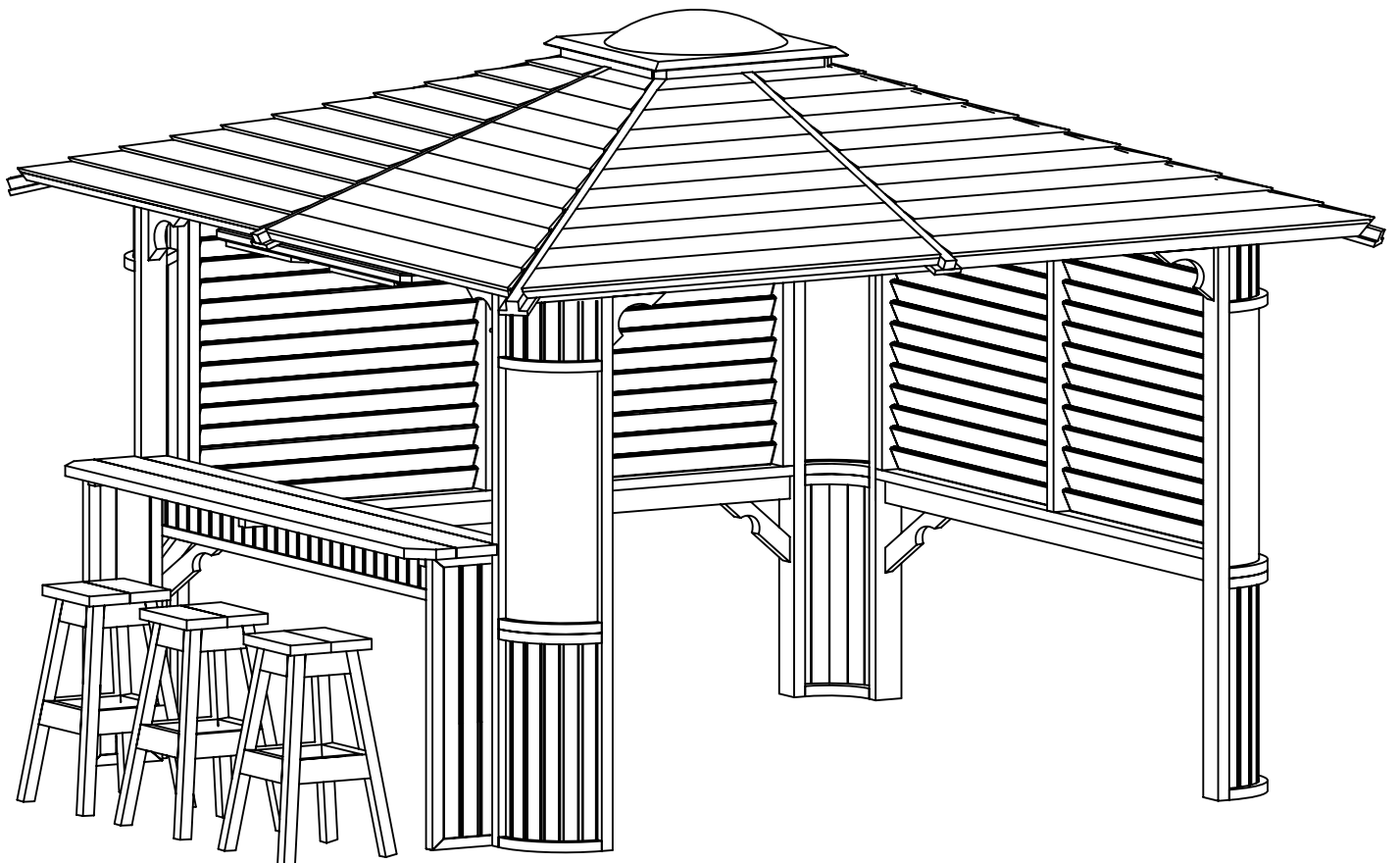
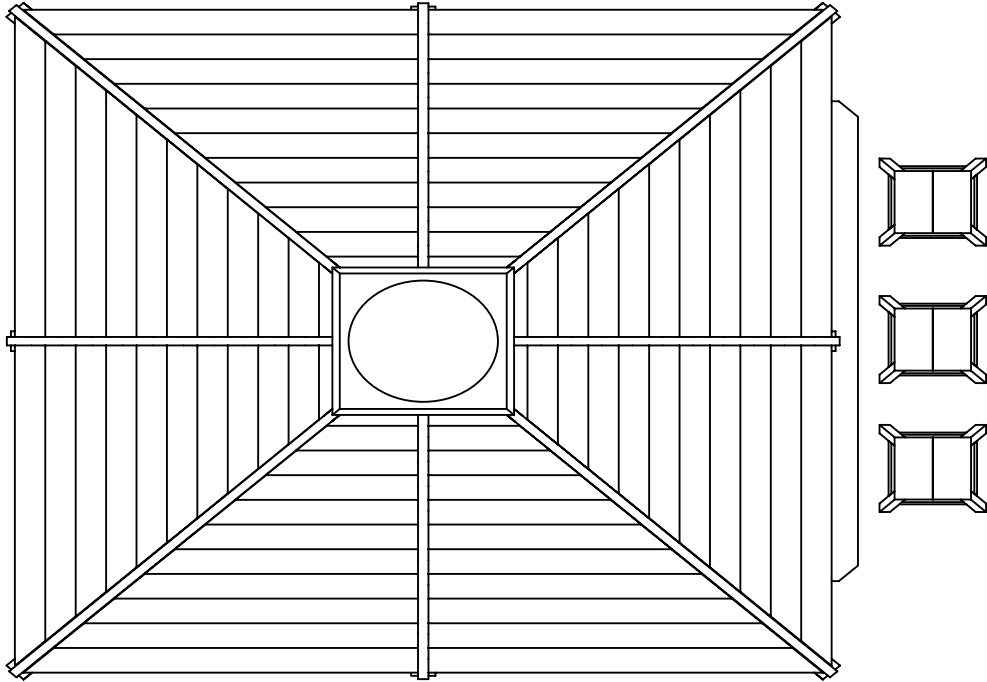
Customer Service
Monday - Friday
8:00 AM - 5:00 PM PST

Coronado

Assembly Instructions



Coronado



Gazebo Works Too

Congratulations on your purchase of a quality redwood spa surround from Gazebo Works Too. We believe it will offer you many years of value, comfort, and privacy.

Before you get started please take a minute to familiarize yourself with the entire installation procedure by reading the parts list and following the assembly instructions from beginning to end, so that you understand what will be involved in properly assembling your surround.

You will require the following equipment and tools:

- Six or eight foot step ladder
- Electric screw driver/drill
- Carpenter's tape measure (20' or longer)
- Phillips head screw driver
- Slotted head screw driver
- A hammer

Note: *Two people are needed to safely assemble this product.*

Maintenance after installation

Wash all corner windows and domes with a soft cloth using a mixture of mild detergent and water. Some commercial window cleaners are acceptable but DO NOT use any products that contain, ammonia, alcohol, or petroleum distillates as they can damage the surfaces.

Periodically, clean leaves and other debris from the roof as it can discolor the surface and may lead to leaks in some areas. Do not allow standing water to pool next to any wood surface and always remove accumulations of snow and ice on the roof and around the walls.

After one to two years you may need to apply another coat of stain in order to preserve the water resistant finish on the exterior surfaces of your enclosure. Be sure to clean the wood first using a commercial cleaning solution.

Coronado

Lath Collection

Manufacturer recommends assembly on a solid flat surface: cement or deck.

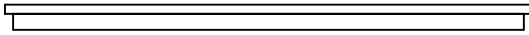
Manufacturer suggest attaching this unit to this surface.

Dimensions: 96" GAZEBO MODEL: I/D 96"-O/D 103"

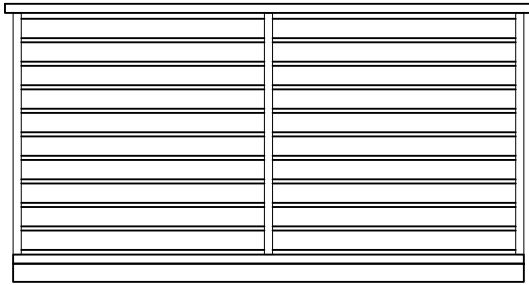
Parts Inventory

The window-acrylic and the corner-Lexan have a protective sheet on both sides - PEEL THIS OFF.

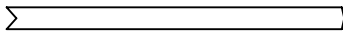
2 Header Panels



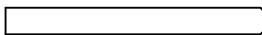
2 Louver Wall Panels



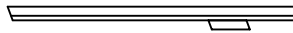
4 Hip Rafter Caps



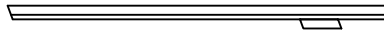
4 Common Rafter Caps



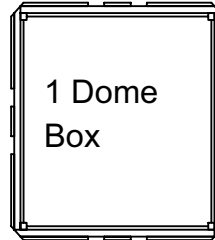
4 Common Rafters



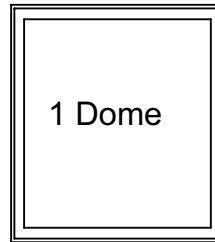
4 Hip Rafters



4 Common Wall Blocks

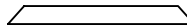


1 Dome Box



1 Dome

4 Crosses

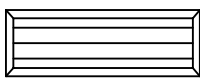


(4) Corners

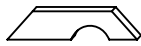


Bar Package

2 Bar Legs



6 Almaden Corbels



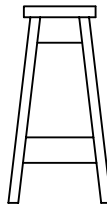
4 El Grande Corbels



1 Bar Privacy Panel



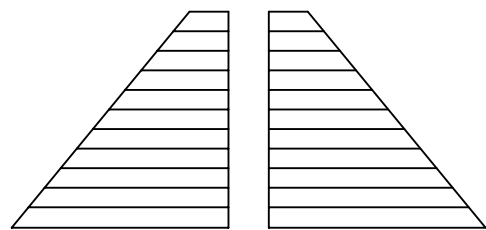
3 Barstool



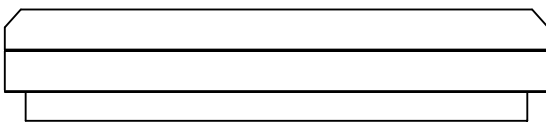
Roof Panels

4 Left

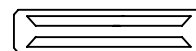
4 Right



1 Bar Top



1 Wineglass Rack



1 Hardware Package

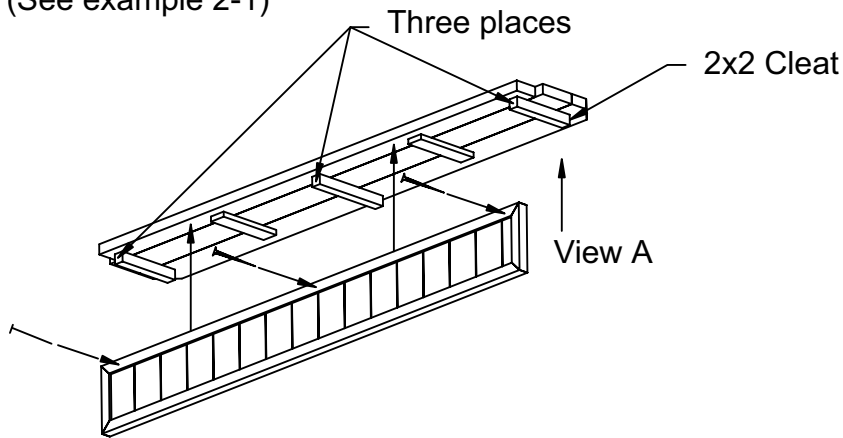
Pack Contents:

- 8 Alignment Pins
- 4 Dome Screws and Washers
- 1 Can of Stain
- 1 Box 2 1/2" Zinc Screws
- 1 Assembly Instructions

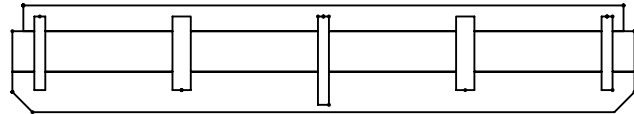
Step 1

Assembly

Slide the privacy panel against the bar top and secure with (3) 2 1/2" screws through the pre-drilled holes on privacy panel into the cleats under the bar top. (See example 2-1)



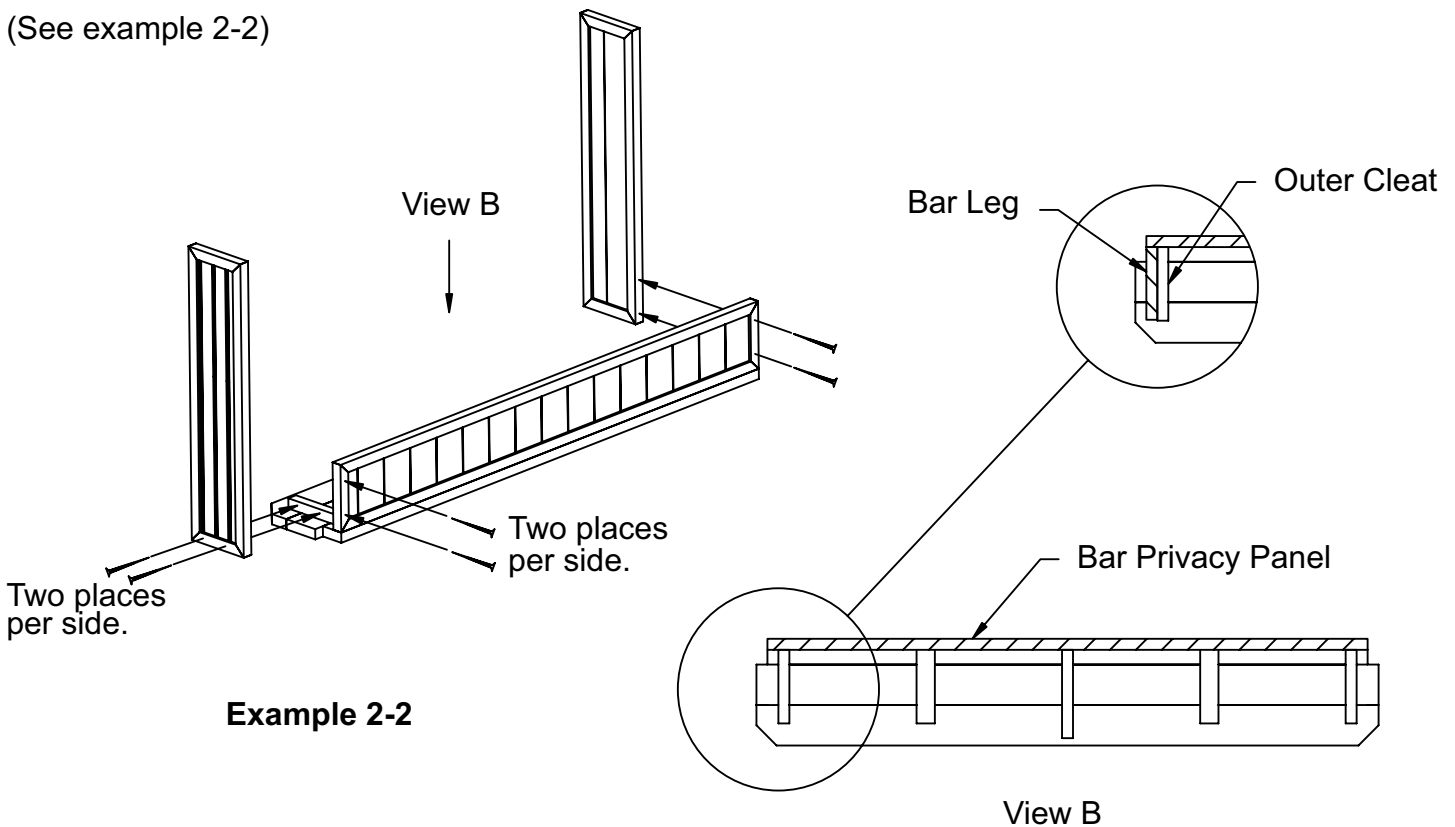
Example 2-1



Step 2

Join the bar assembly and the 2 bar legs using the pre-drilled holes as shown. Put an additional (2) 2 1/2" screws per side into the bar top outer cleats.

(See example 2-2)

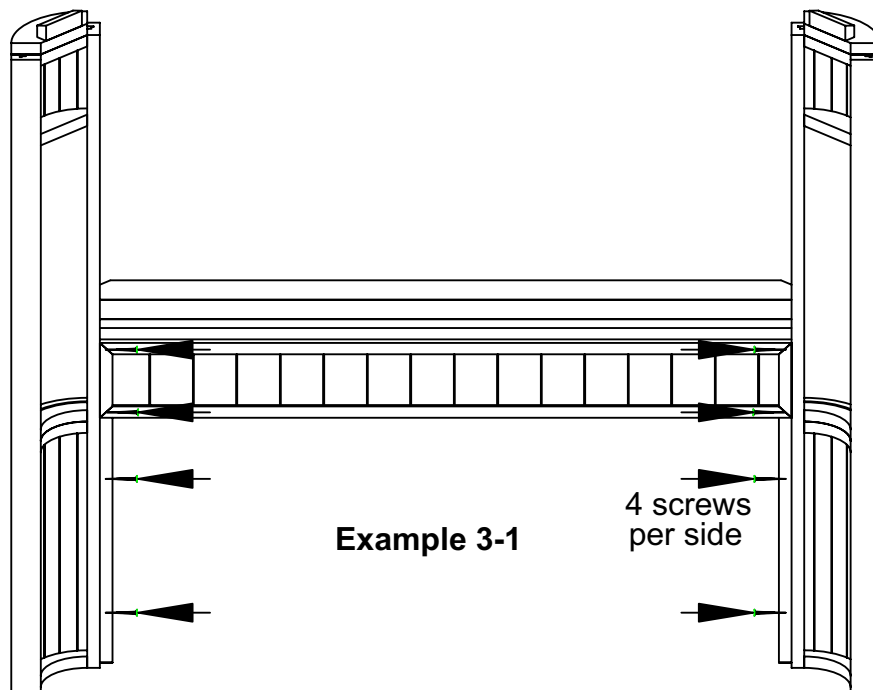


Example 2-2

Step 3

Add two round corners. Slide the corner side against the notch cutout of the bar. Screw through the sideframe into the privacy panel and two into the leg.

(See Example 3-1)



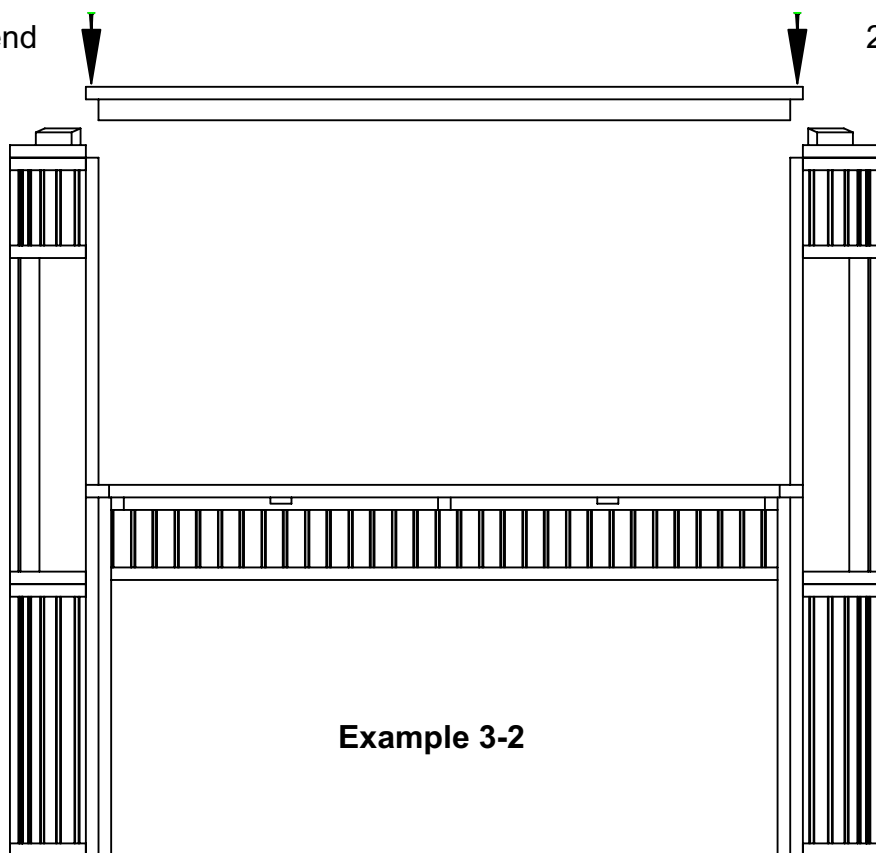
Step 4

Slide a header panel between the corners. Screw down through the ends into the corner side walls.

(See Example 3-2)

2 screws per end

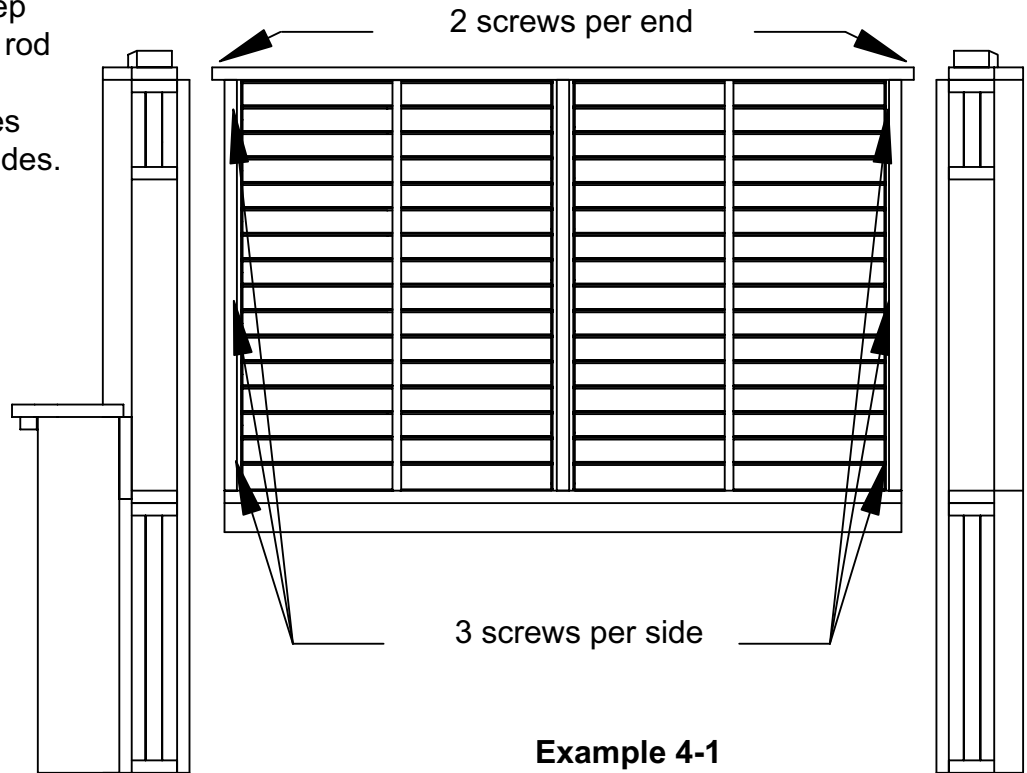
2 screws per end



Step 5

Add a full louver panel and another round corner. Keep the side with the adjusting rod facing the gazebo interior. Make sure louver wall sides are flush with the corner sides.

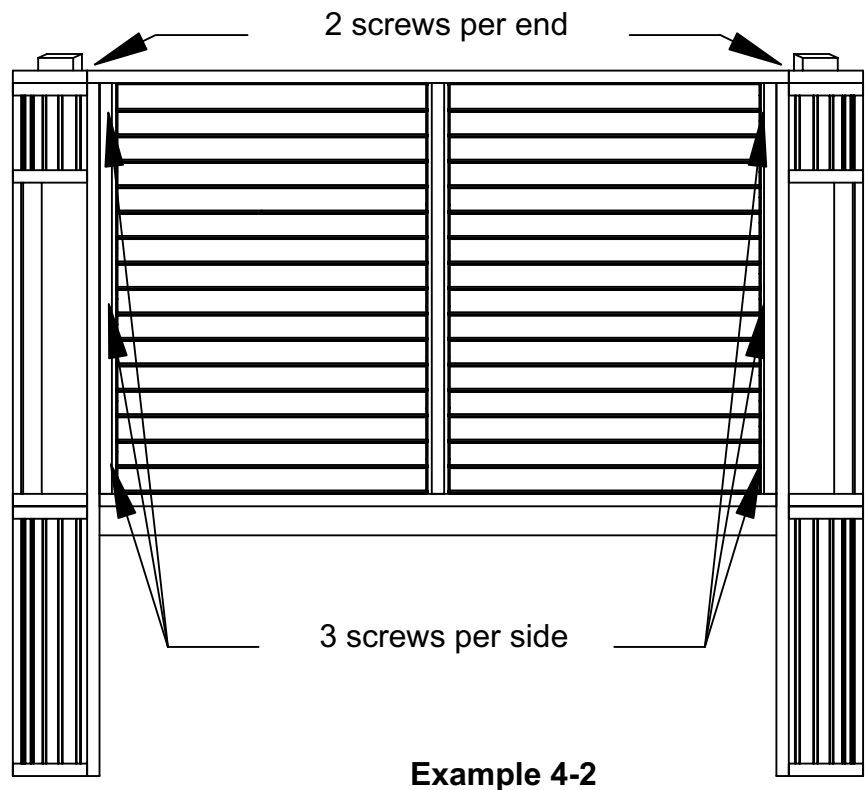
(See Example 4-1)



Step 6

Add another louver wall and corner. Refer to the instructions in Step 6.

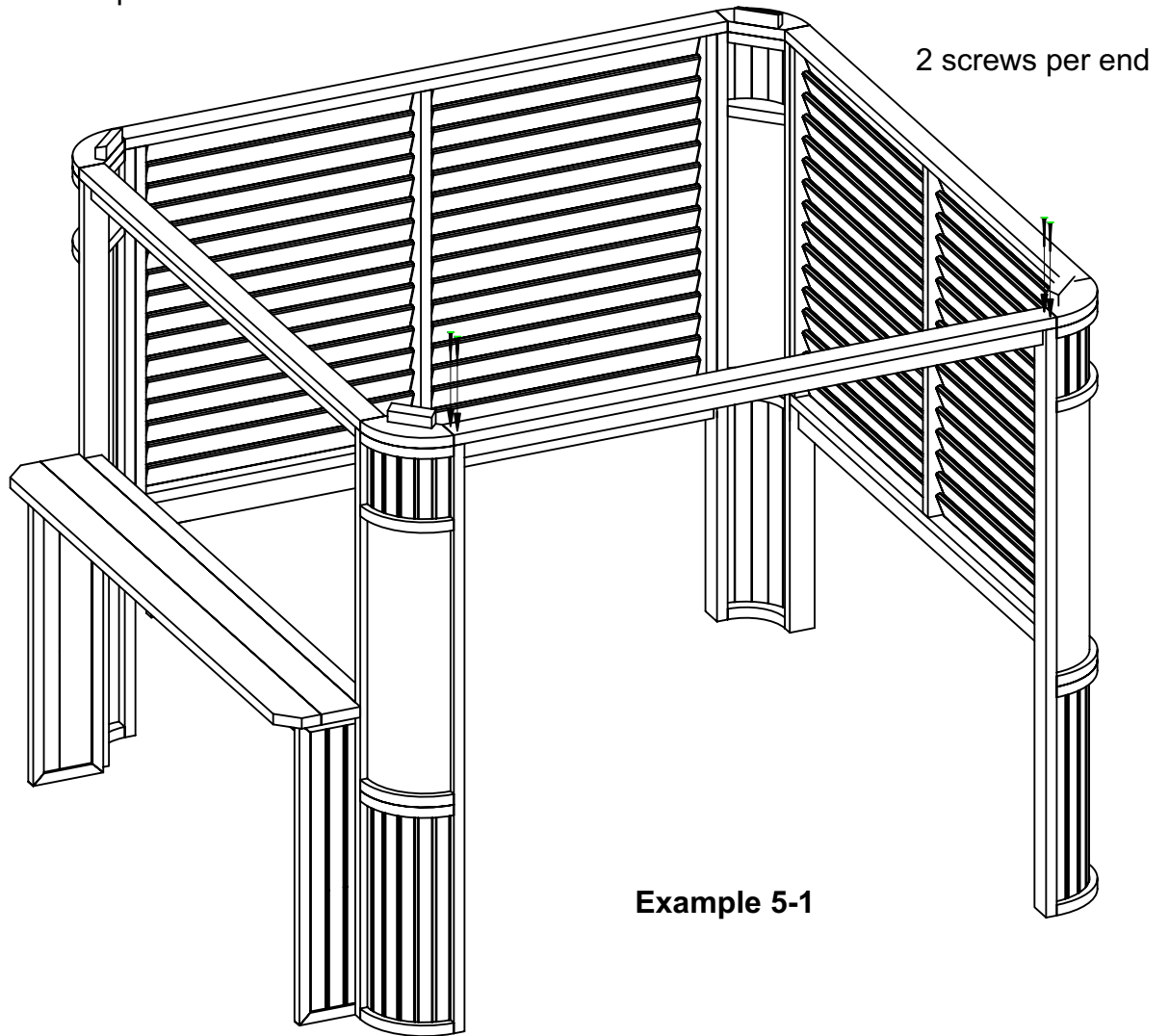
(See Example 4-2)



Step 7

Add the last header as in Step 4.

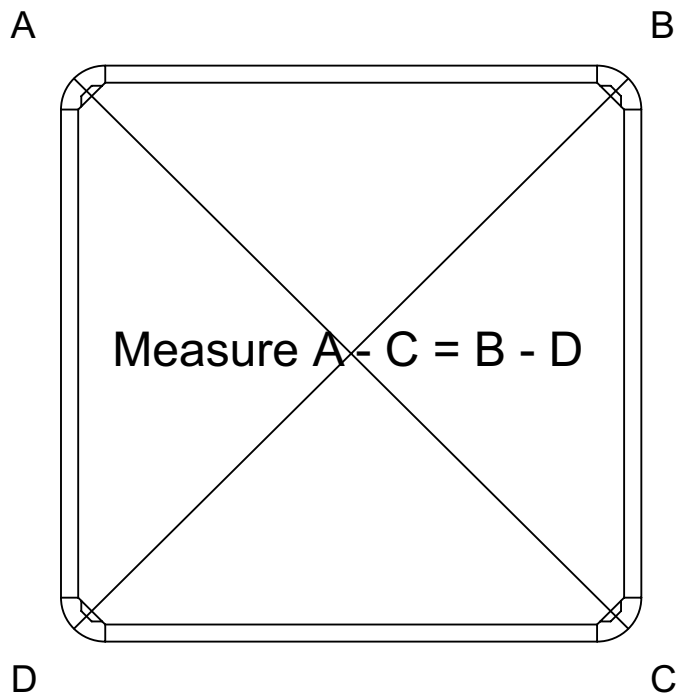
(See Example 5-1)



Step 8

Before installing the roof assembly, measure diagonally across the freestanding round corners to ensure that the gazebo is square. A-C should be the same as B-D. Move wall sections as needed until there is less than 1/4" difference between the two measurements.

(See Example 5-2)



Step 9

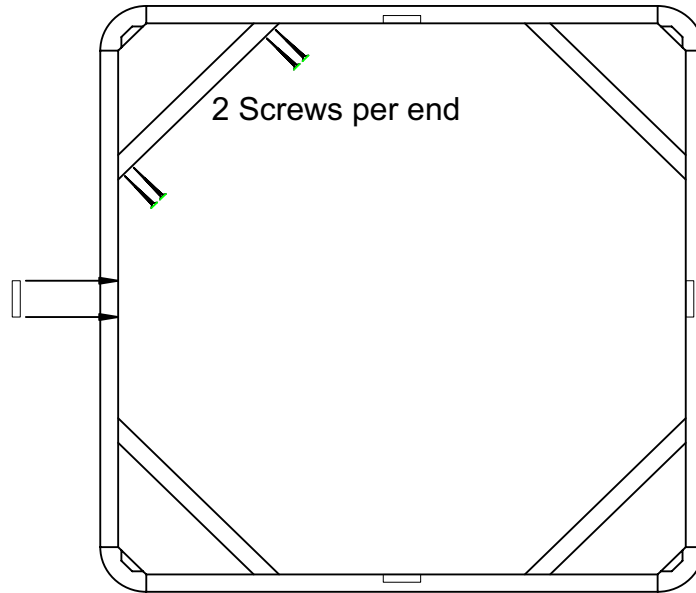
Before installing the dome box, add the four cross braces to the four corners of the gazebo, and the four wall blocks centered on the two louver walls and headers. See Detail F-F.

(See Example 6-1)

2 Screws per block

interior side of wall

Detail F-F

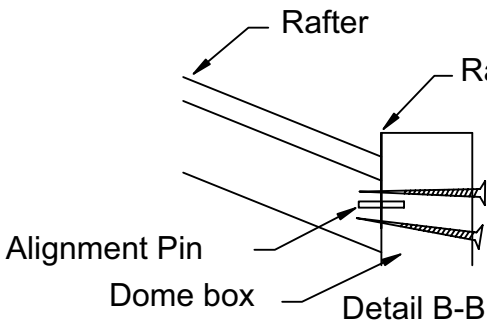


Example 6-1

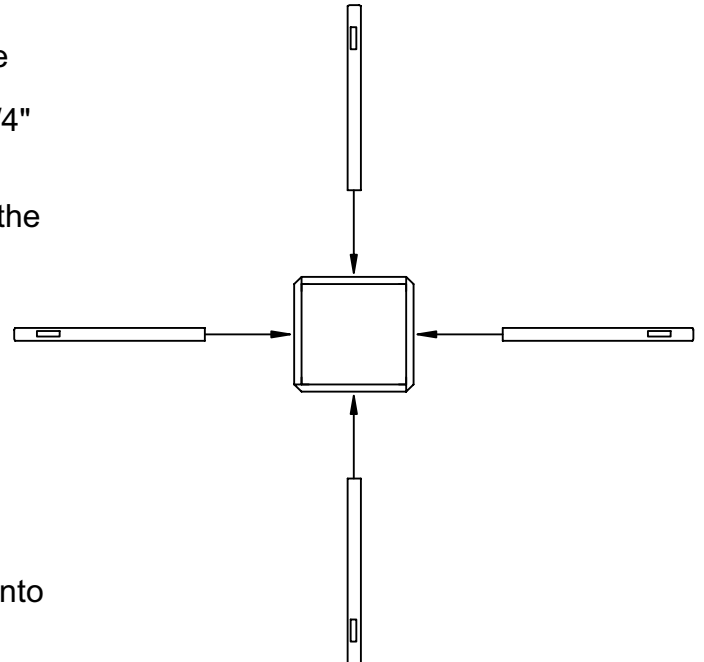
Step 10

Place the dome box upside down on a level surface. The serial number is on the bottom of the dome box. This should now be facing up. Tap the eight alignment pins 3/4" into the pre-drilled holes in the dome box, leaving 3/4" exposed. Tap four common rafters onto the sides and secure with two screws each, through the box sides into the rafters. See detail B-B.

(See Example 6-2)



(2) 2 1/2" screws
Through the box into
rafter.

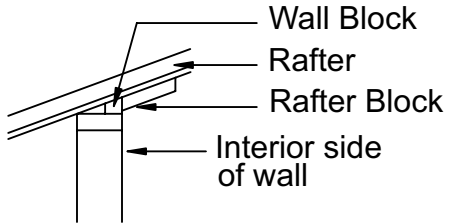


Example 6-2

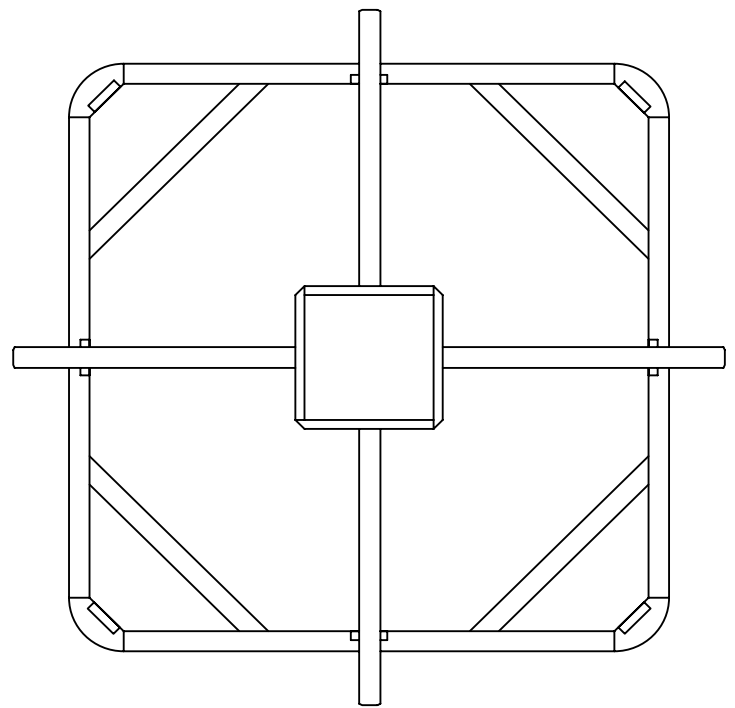
Step 11

Turn assembled dome box over and slide it onto the top of the gazebo. With one person outside and one inside on a ladder, carefully slide the rafters over the top. The rafters will be centered over the wall blocks. Do not secure at this time. Make sure the box is level. See Detail C-C.

(See Example 7-1)



Detail C-C



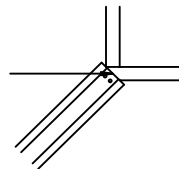
Example 7-1

Step 12

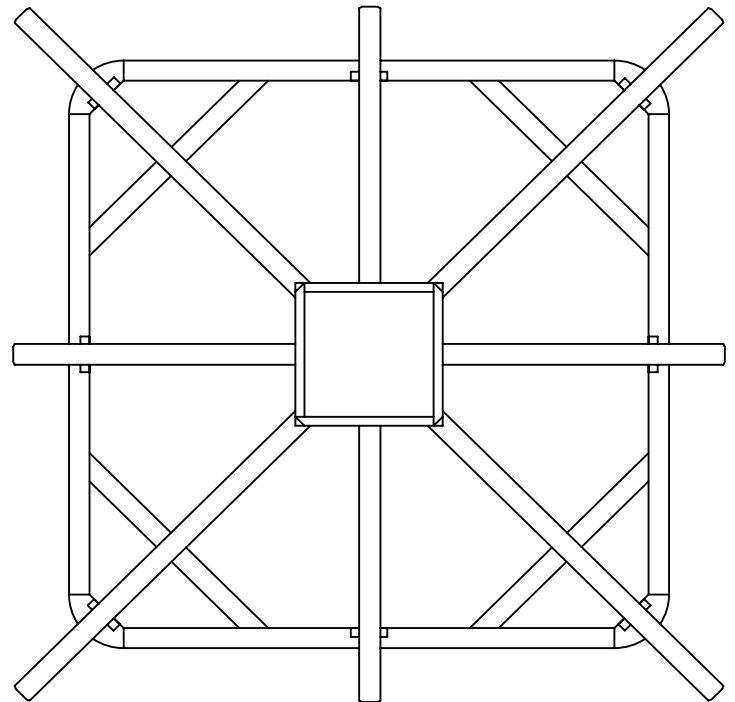
Tap one hip rafter with the alignment pin onto each corner of the box. (See detail C-C.) Secure with (2) 2 1/2" through the top of the rafter into the dome box. Do not secure rafter block to the wall block at this time.

(See Example 7-2)

Tap rafter flush against box



Detail D-D



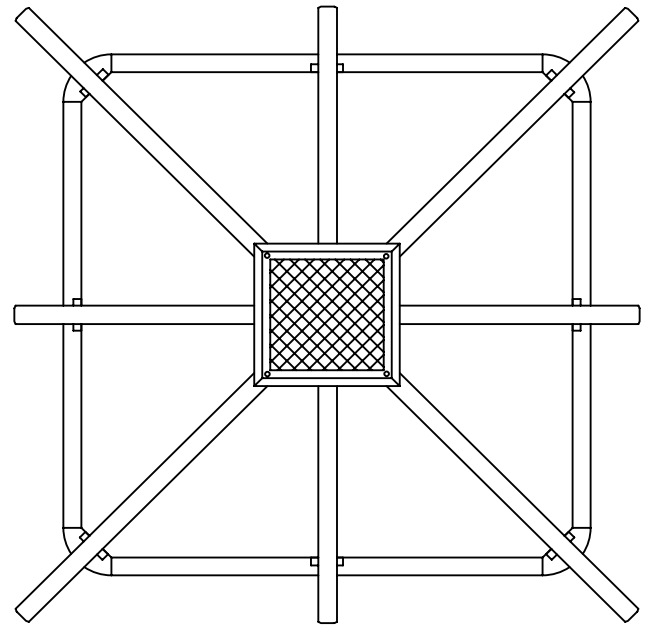
Example 7-2

Step 13

Place dome over the box. Secure with four silver screws and washers. Screws should only be hand tightened to prevent cracking.

DO NOT USE POWER TOOLS.

(See Example 8-1)

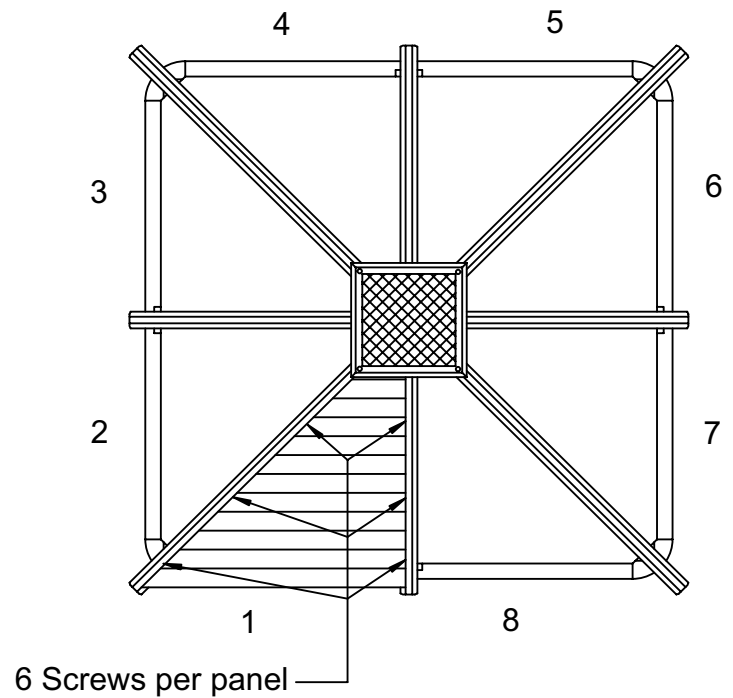


Example 8-1

Step 14

Place angled cut side of the first roof panel on the 1x4 part of the corner rafter, slide the roof panel tight against the dome box and the common rafter. Secure with (6) 2 1/2" screws through the pre-drilled holes in the roof panel into the rafters. Repeat this process for the remaining (7) panels. Note: Start at one corner and work in one direction. Rafters should be unattached for ease of installation.

(See Example 8-2)

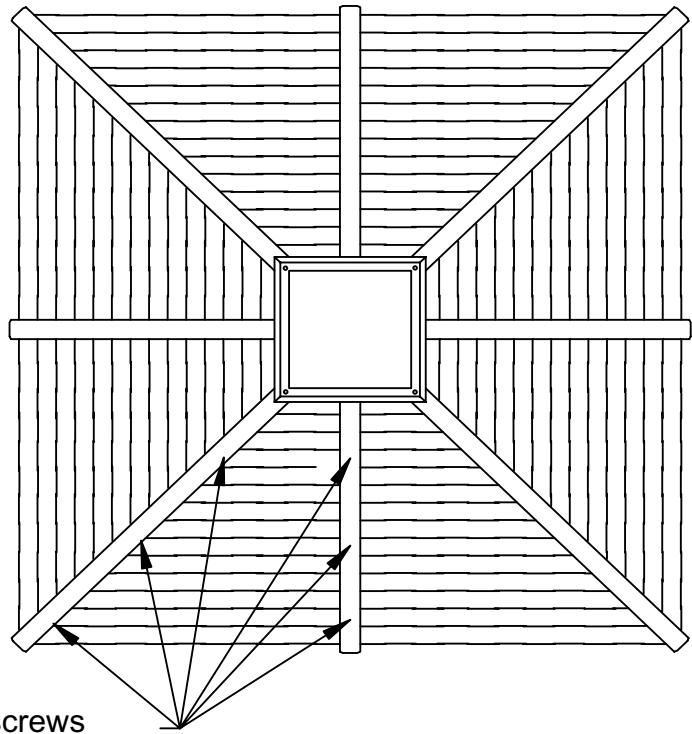


Example 8-2

Step 15

Place all the rafter caps on top of the panels centered over the rafters. Secure with (3) 2 1/2" screws into the rafters.

(See Example 9-1)



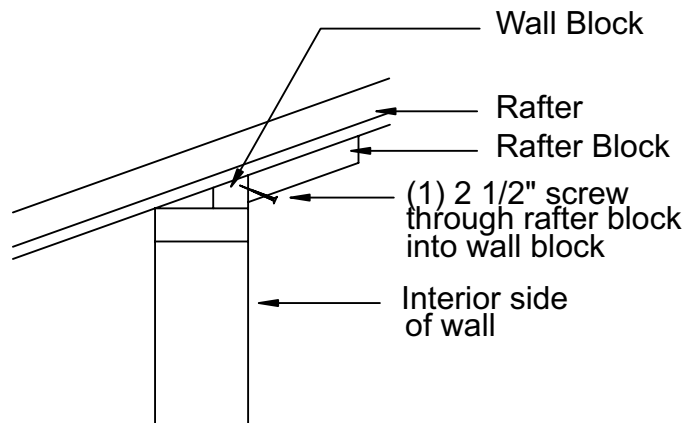
(3) 2 1/2" screws
per rafter cap

Example 9-1

Step 16

From the inside secure the rafter blocks to the wall blocks as described in Example 6-1.

(See Example 9-2)

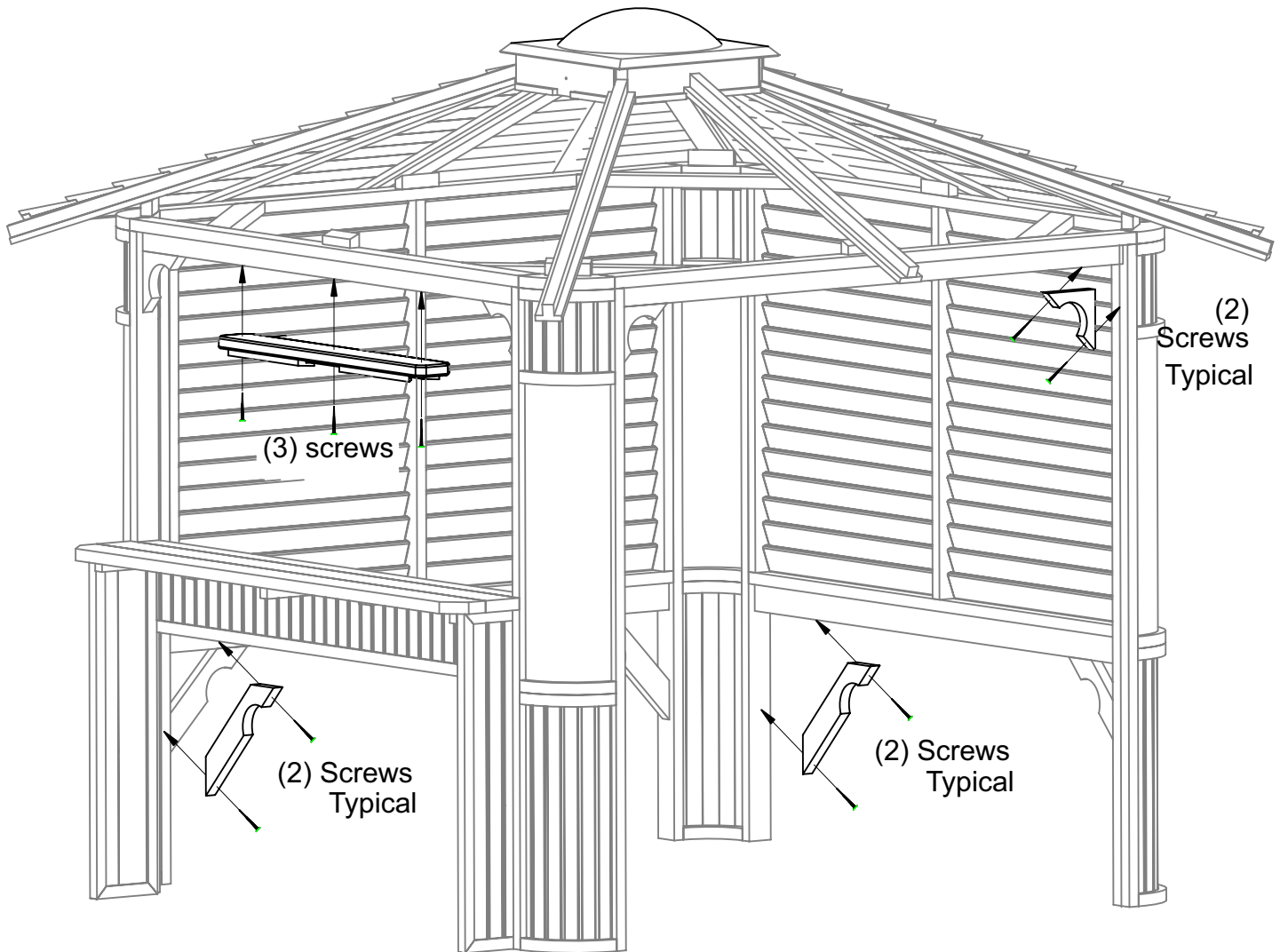


Example 9-2

Step 17

Finally, Secure all corner corbels with (2) 2 1/2" screws as shown. and attach wineglass rack with (3) 2 1/2" screws. See note below.

(See Example 10-1)



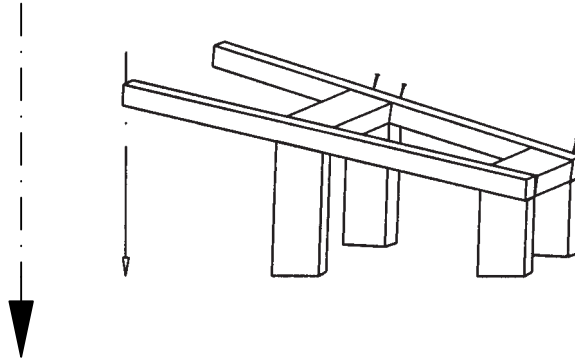
Example 10-1

NOTE:
Repeat steps for
securing all corbels
on opposite sides.

BARSTOOL ASSEMBLY

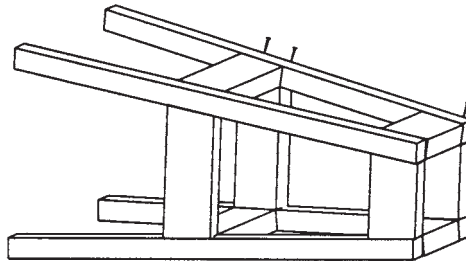
Step 1

Place one barstool A-frame side assembly over two large center braces. It is important that the correct side of the A-frame is positioned facing the assembler. When the A-frame is on the top of the large braces, the bottom of the legs should be almost perpendicular to the ground. Use two (2) screws for each end of the large brace. Add the small braces. Use one (1) screw at the top for each end.



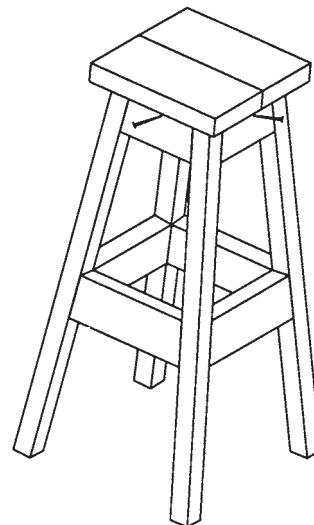
Step 2

Turn the partial assembly over and add the second A-frame. Place this even with the previous A-frame and assemble using the above procedure. Stand leg assembly upright.



Step 3

Add the seat assembly. Screw through the top center of each small brace about 3/4" down into the seat assembly. Be sure the seat is firmly seated against frame before attaching.



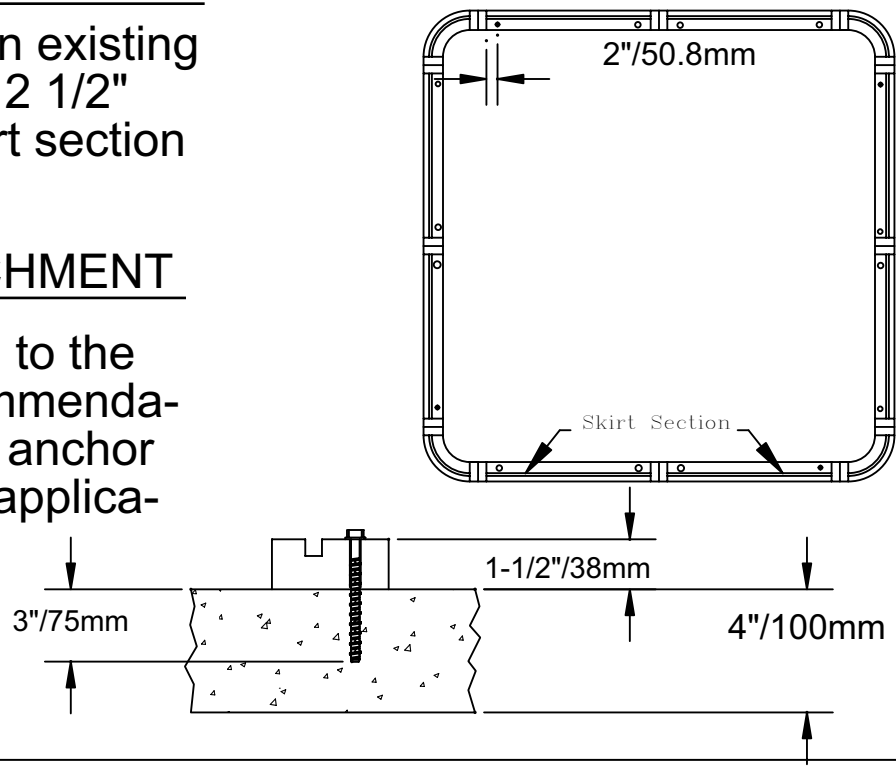
Gazebo Attachment Instructions

WOOD DECK ATTACHMENT

When attaching to an existing wood deck, use two 2 1/2" screws per each skirt section

CONCRETE ATTACHMENT

Drill holes according to the manufacture's recommendation for the concrete anchor system used in this application



Disclosure

This product is a modular kit, not an assembled structure. It is not designed to be a waterproof or permanent structure. Gazebo Works Too, Inc. is not responsible for assembly and/or mounting, although technical assistance is available during regular business hours. Gazebo Works Too, Inc. is not responsible for damage or injury incurred during assembly. Gazebo Works Too, Inc., reserves the right to make design changes for product improvement.

Owner of Documents

These documents, the ideas and artwork incorporated herein are the property of Gazebo Works Too, Inc., and may not be used in whole or in part, for any reason, without the written consent of an authorized agent of Gazebo Works Too, Inc. Instructions (documents) are provided as an instrument of professional service and courtesy.