

Gazebo-works
Too, Incorporated
"Where Quality Comes First"

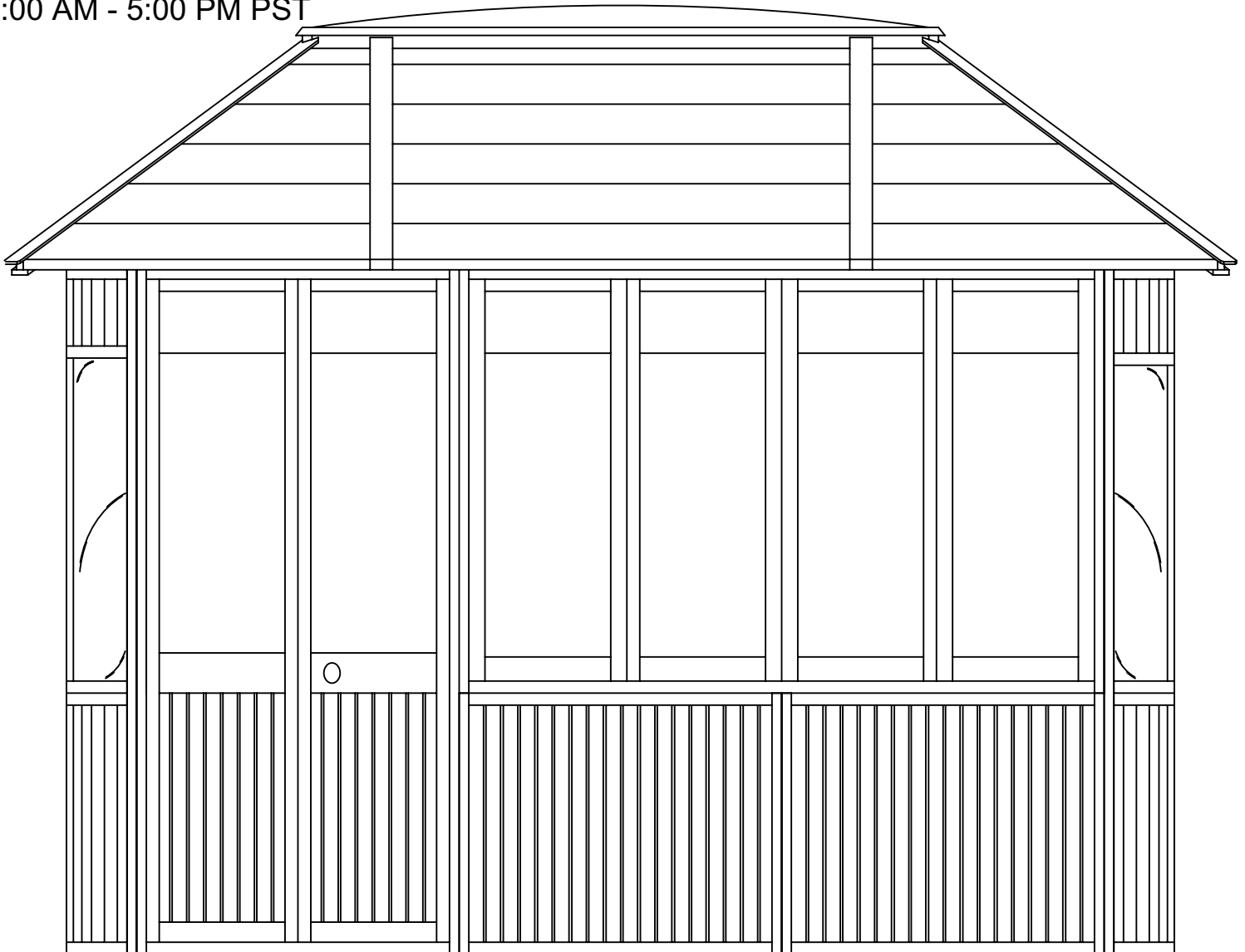
10 X 14 Single Door

P.O. Box 5257
Central Point, OR 97502
www.gazeboworkstoo.com
info@gazeboworkstoo.com

(888) 367-7920 Toll Free
(541) 664-2000
(541) 664-6189 Fax

Customer Service
Monday - Friday
8:00 AM - 5:00 PM PST

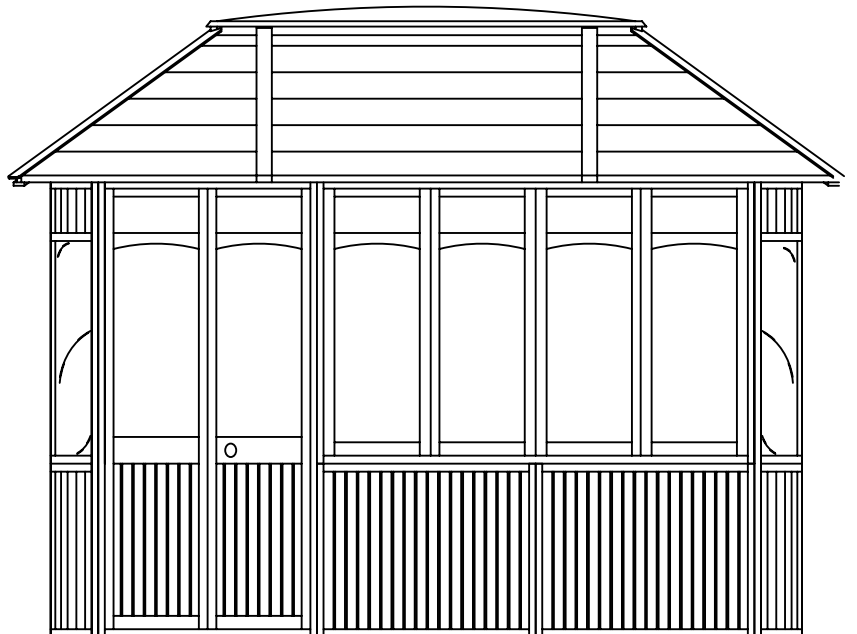
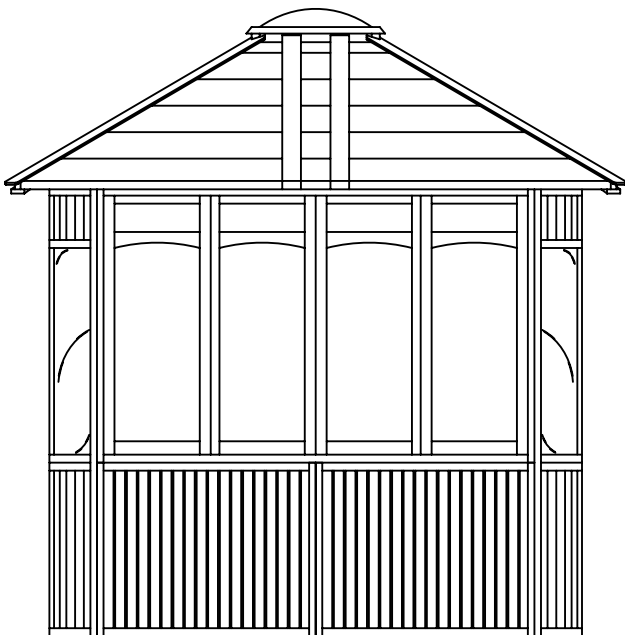
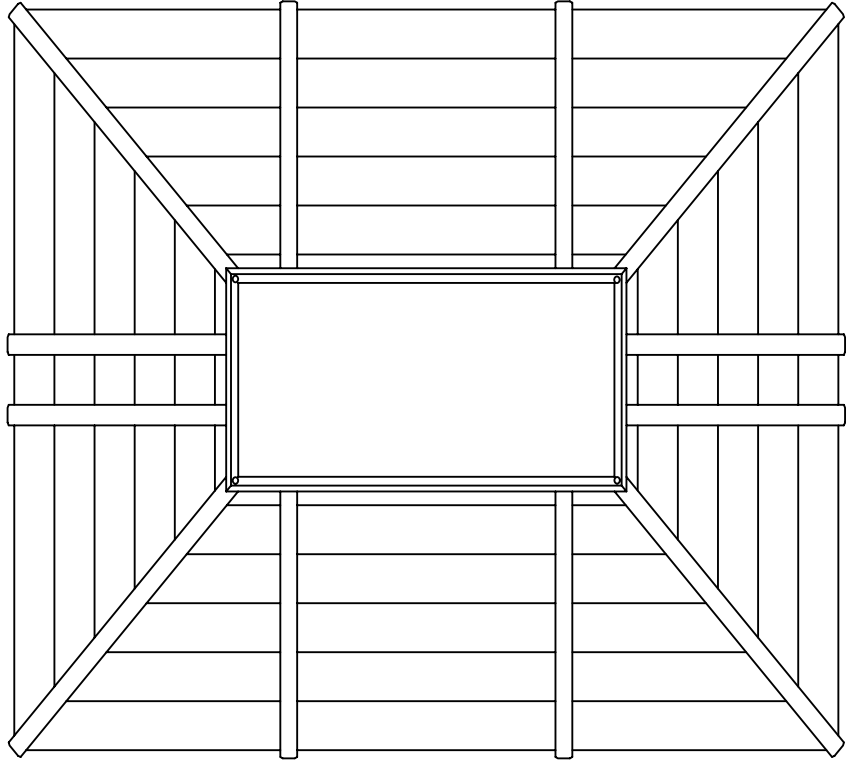
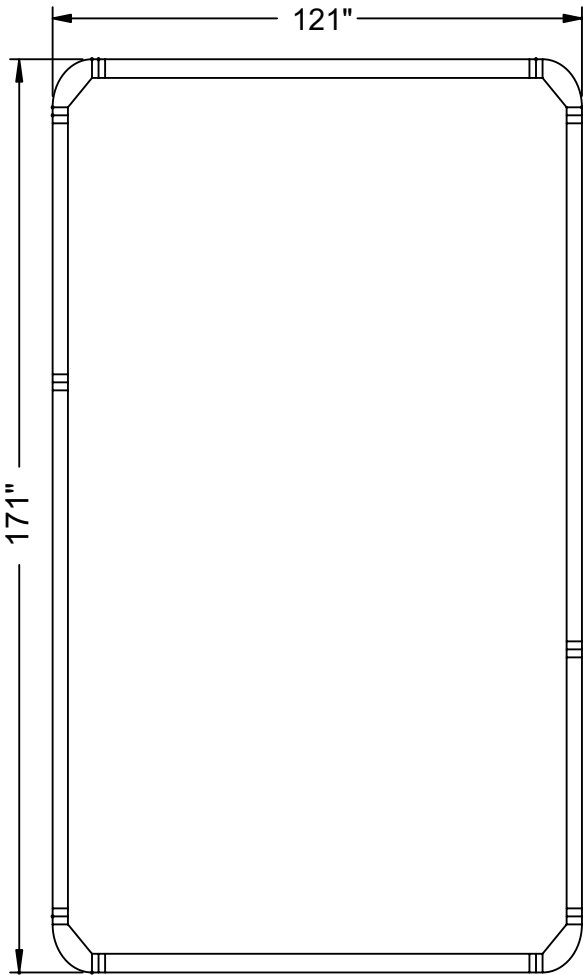
Assembly Instructions



Outside Dimension: 121" X 171" Inside Dimension: 114" X 164" Height at tip of dome: 112"

10 X 14

Single Door



Gazebo Works Too

Congratulations on your purchase of a quality redwood spa surround from Gazebo Works Too. We believe it will offer you many years of value, comfort, and privacy.

Before you get started please take a minute to familiarize yourself with the entire installation procedure by reading the parts list and following the assembly instructions from beginning to end, so that you understand what will be involved in properly assembling your surround.

You will require the following equipment and tools:

Six or eight foot step ladder
Electric screw driver/drill
Carpenter's tape measure (20' or longer)
Phillips head screw driver
Slotted head screw driver
A hammer

Note: *Two people are needed to safely assemble this product.*

Maintenance after installation

Wash all corner windows and domes with a soft cloth using a mixture of mild detergent and water. Some commercial window cleaners are acceptable but DO NOT use any products that contain, ammonia, alcohol, or petroleum distillates as they can damage the surfaces.

Periodically, clean leaves and other debris from the roof as it can discolor the surface and may lead to leaks in some areas. Do not allow standing water to pool next to any wood surface and always remove accumulations of snow and ice on the roof and around the walls.

After one to two years you may need to apply another coat of stain in order to preserve the water resistant finish on the exterior surfaces of your enclosure. Be sure to clean the wood first using a commercial cleaning solution.

10 X 14 Single Door

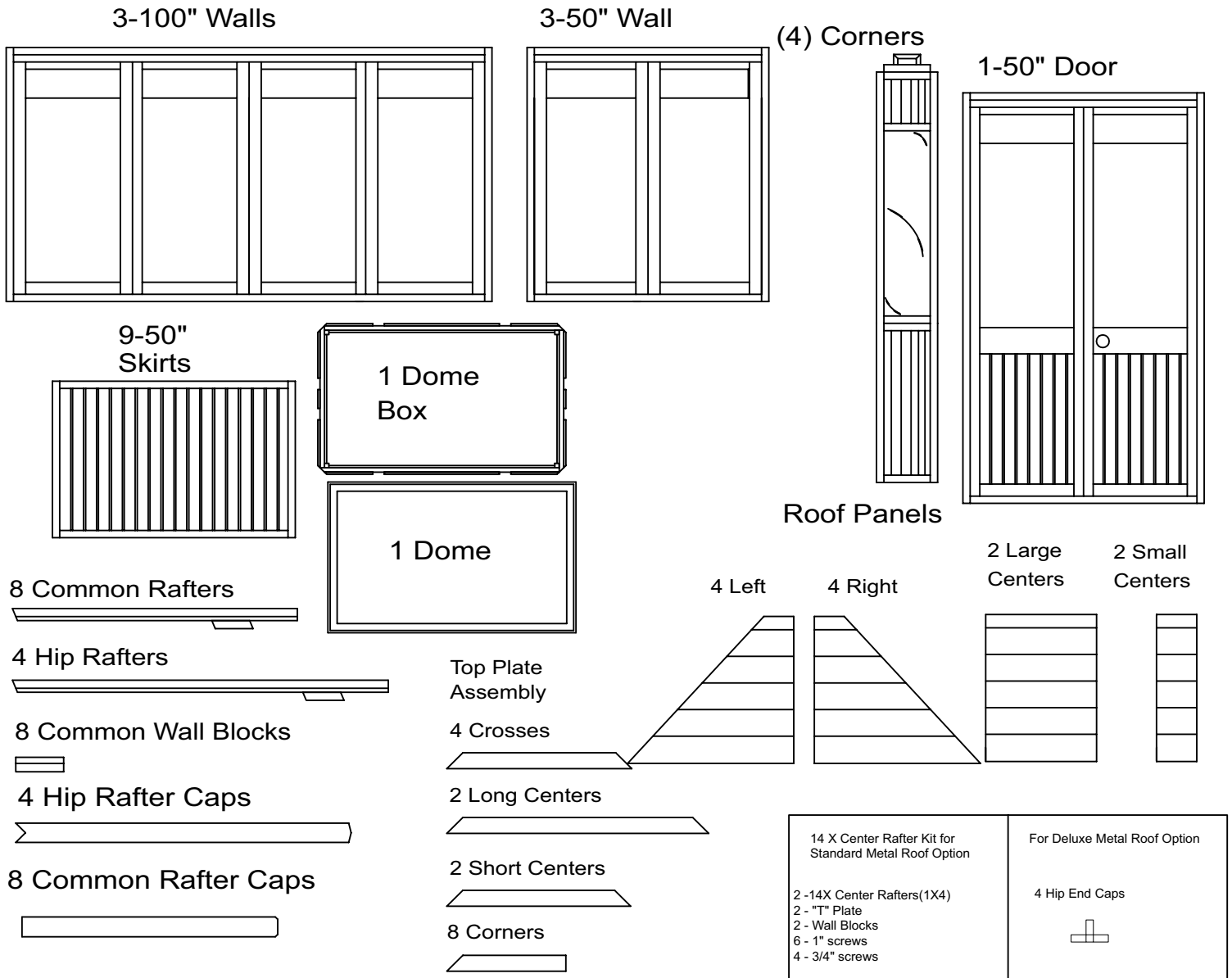
Manufacturer recommends assembly on a solid flat surface; cement or deck.

Manufacturer recommends attaching this unit to this surface

Measurements: Outside Dimensions: 121"x 171"
Inside Dimensions: 114"x 164"
Height at top of dome: 112"

* Note: This Parts Inventory page is for the basic gazebo setup. If you have ordered additional components e.g. Bay Window, Sitting Bay, or an Alcove Room, your skirt and wall quantities will be different. Please refer to the Packing List that came with your unit.

Parts Inventory



Pack Contents:

1 Hardware Package

The window-acrylic and the corner-Lexan have a protective sheet on both sides -
PEEL THIS OFF.

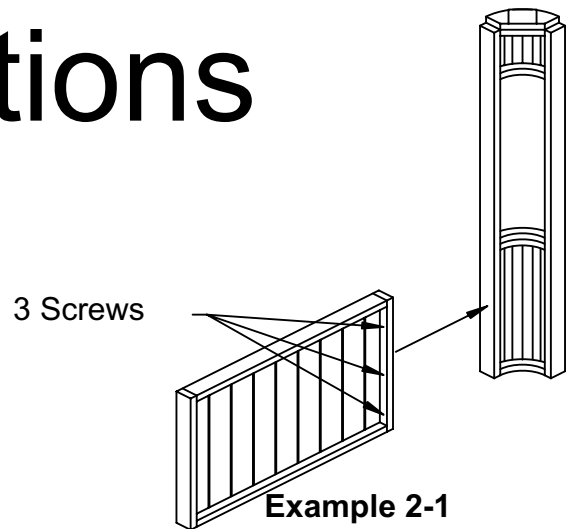
- 12 Alignment Pins
- 6 Dome Screws and Washers
- 1 Pkg. 2 1/2" Zinc Screws
- 1 Door Lock with Keys (Not on Gold Coast models)
- 1 Can Touchup Stain
- 6 Sets of Window Latches (Not on Gold Coast models)
- 1 Pkg. 1 5/8" Zinc Screw (for metal roof assembly)

10 X 14 Single Door Assembly Instructions

Step 1

Place a 50" skirt on a flat surface. Screw one freestanding corner to the skirt flush with the interior side and bottom of the skirt. Secure with three 2 1/2" screws through interior side frame into the corner side frame.

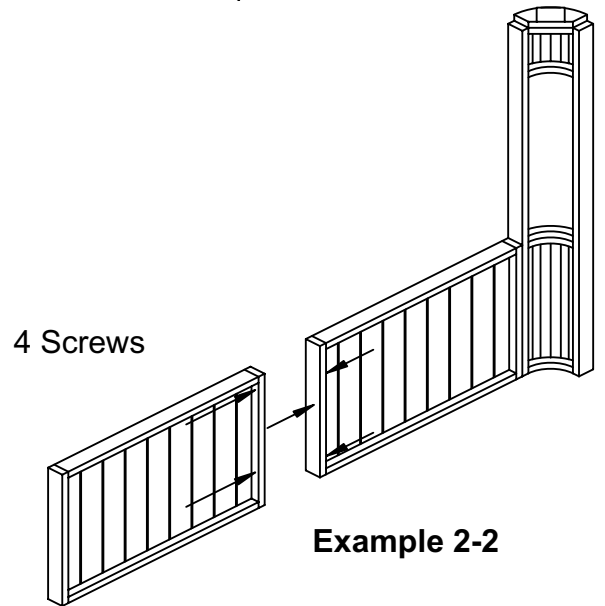
(See Example 2-1)



Step 2

Secure a second skirt to the end of the first with (4) 2 1/2" screws through the adjoining side frames. Make sure the skirts are flush at the top, bottom and face.

(See Example 2-2)

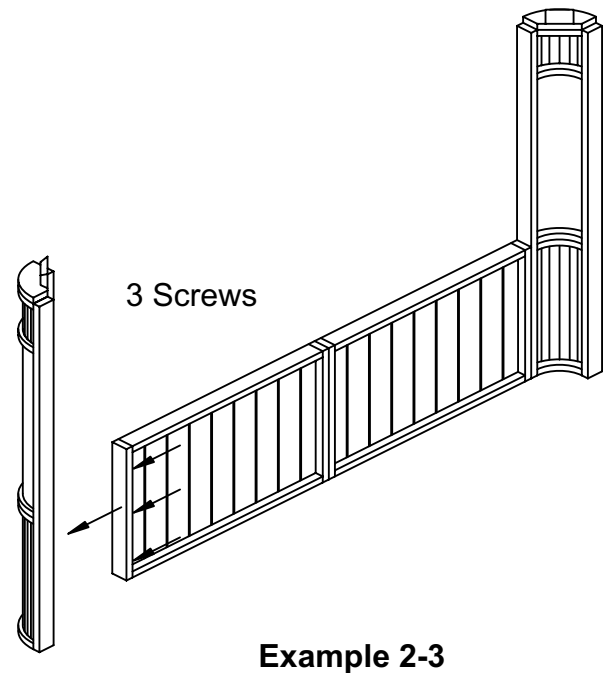


Step 3

Secure a second freestanding corner to the end of the second skirt as in Example 2-1.

(See Example 2-3)

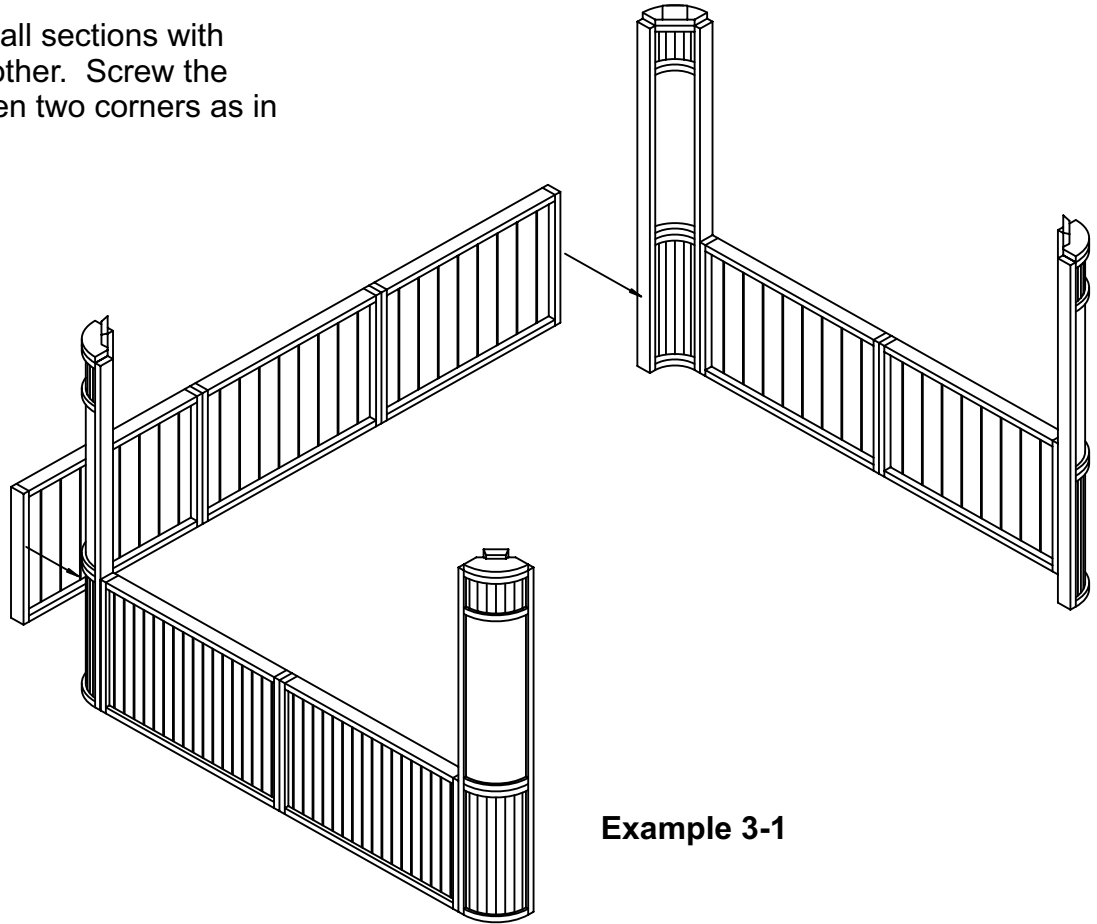
Repeat Steps 1-3 for a second wall section. Stand both upright.



Step 4

Face the two completed skirt wall sections with the interior sides toward each other. Screw the next three skirt sections between two corners as in Steps 1-3.

(See Example 3-1)

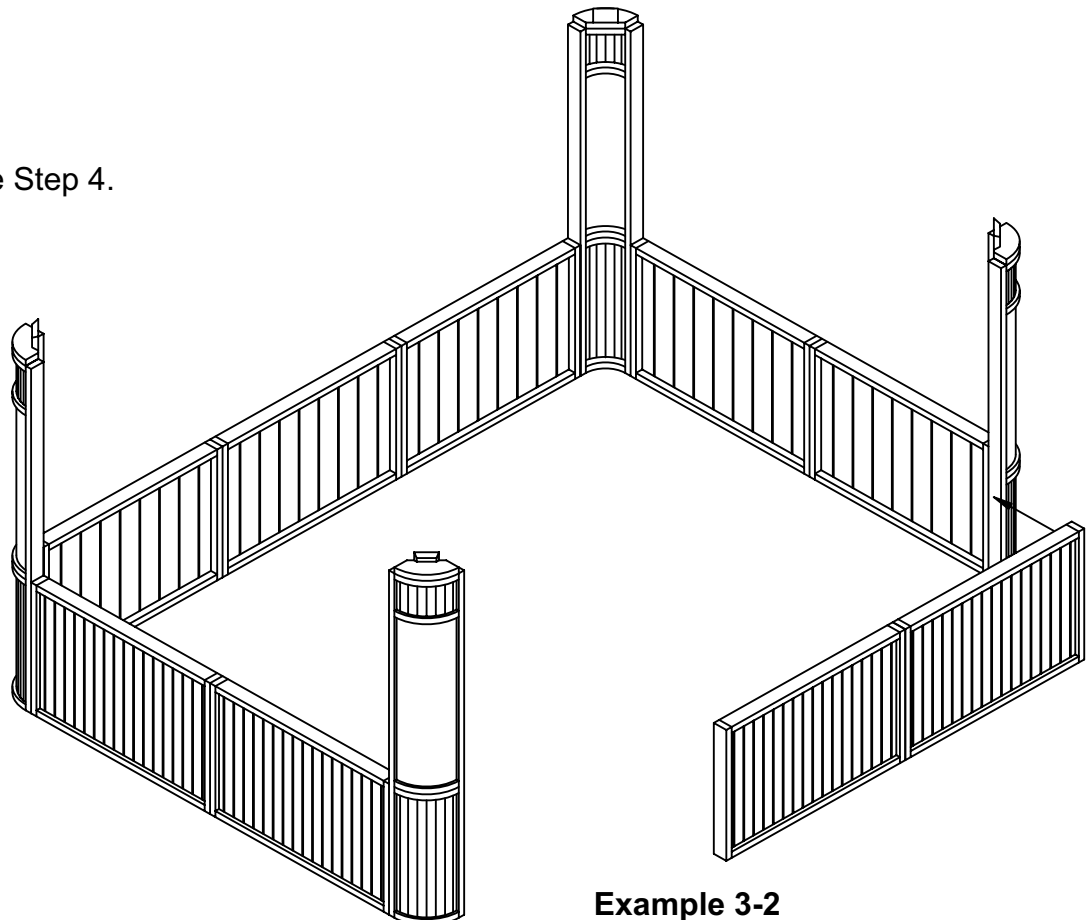


Example 3-1

Step 5

Add the last two 50" skirts. See Step 4.

(See Example 3-2)

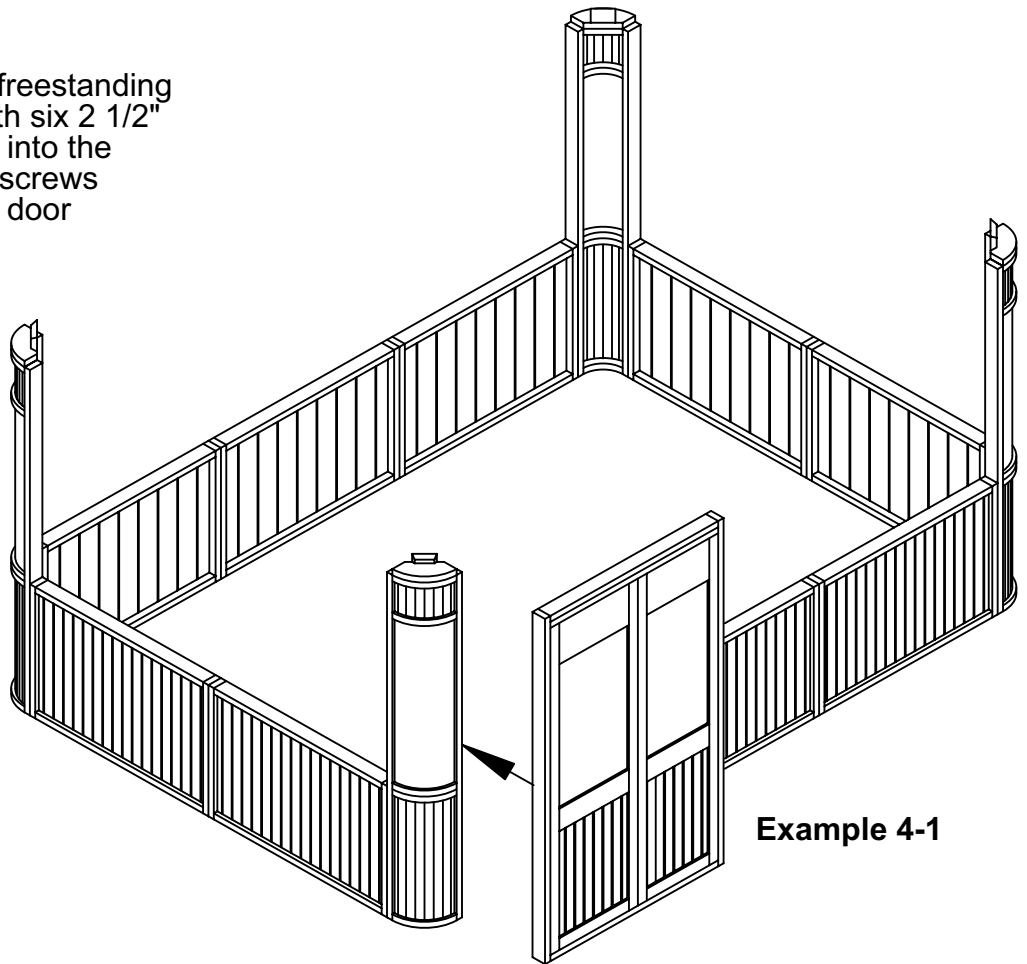


Example 3-2

Step 6

Slide the door section between the freestanding corner and skirt section. Secure with six 2 1/2" screws through the door side frame into the corner side frame and three 2 1/2" screws through the skirt side frame into the door frame. Space evenly.

(See Example 4-1)



Example 4-1

Step 7

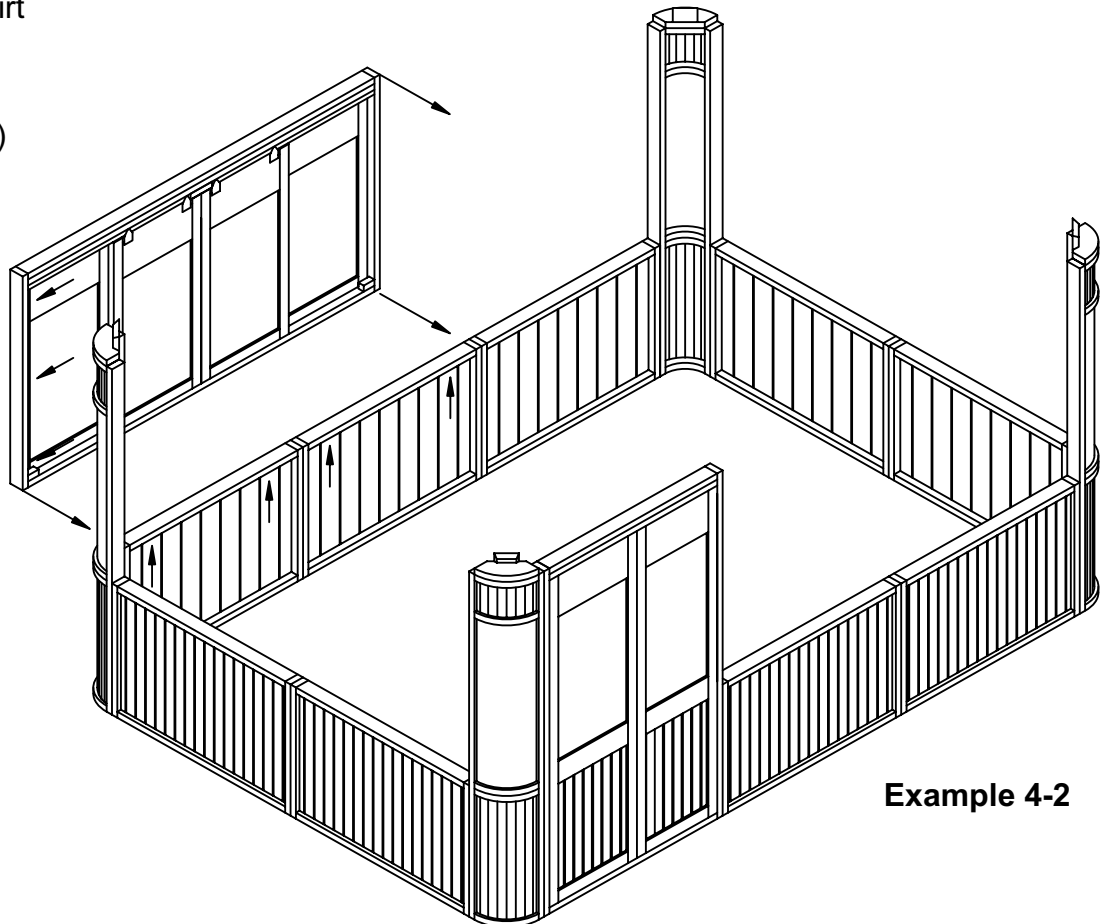
Set one 100" wall onto two skirts next to a freestanding corner. Secure with three screws through the side into the round corner and four up through the skirt top into the wall bottom. Space evenly.

(See Example 4-2)

7 Screws

Three screws
in the side

Four(4) screws
across the bottom

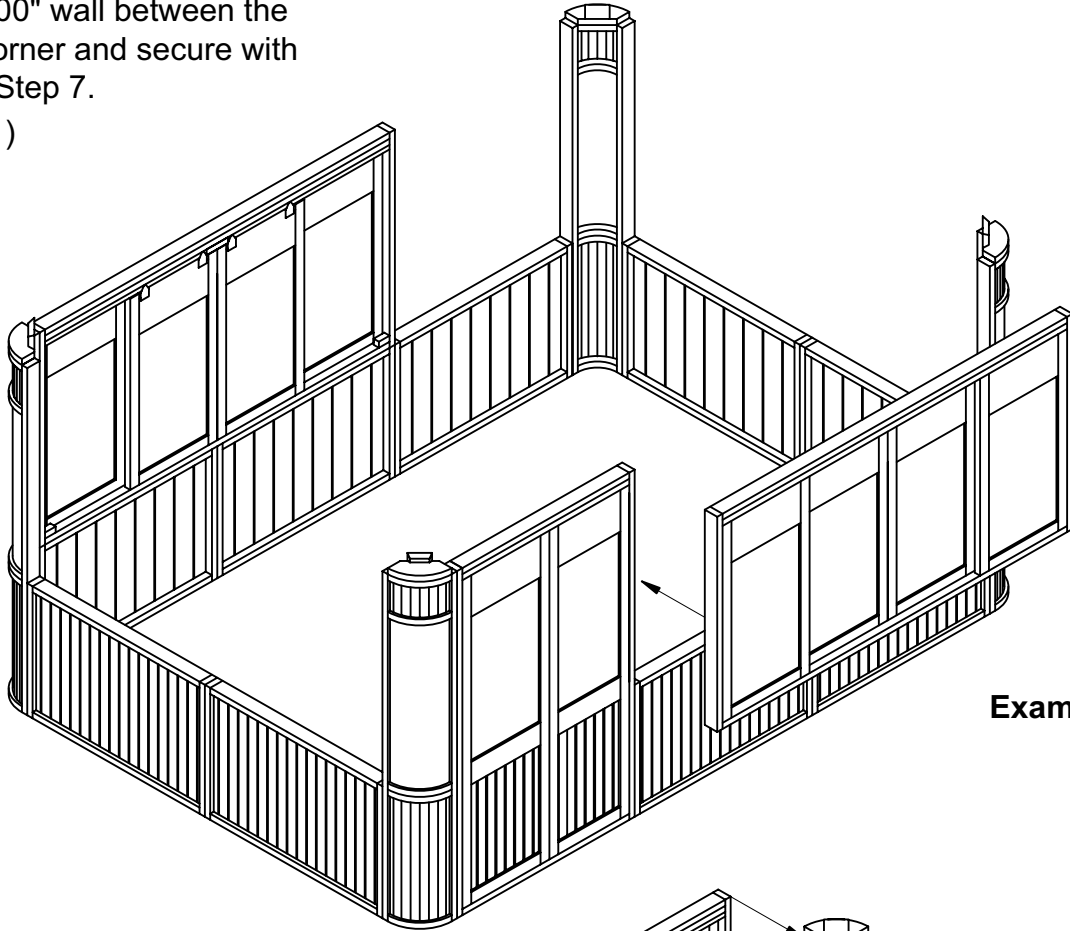


Example 4-2

Step 8

Place a second 100" wall between the door and round corner and secure with ten screws. See Step 7.

(See Example 5-1)

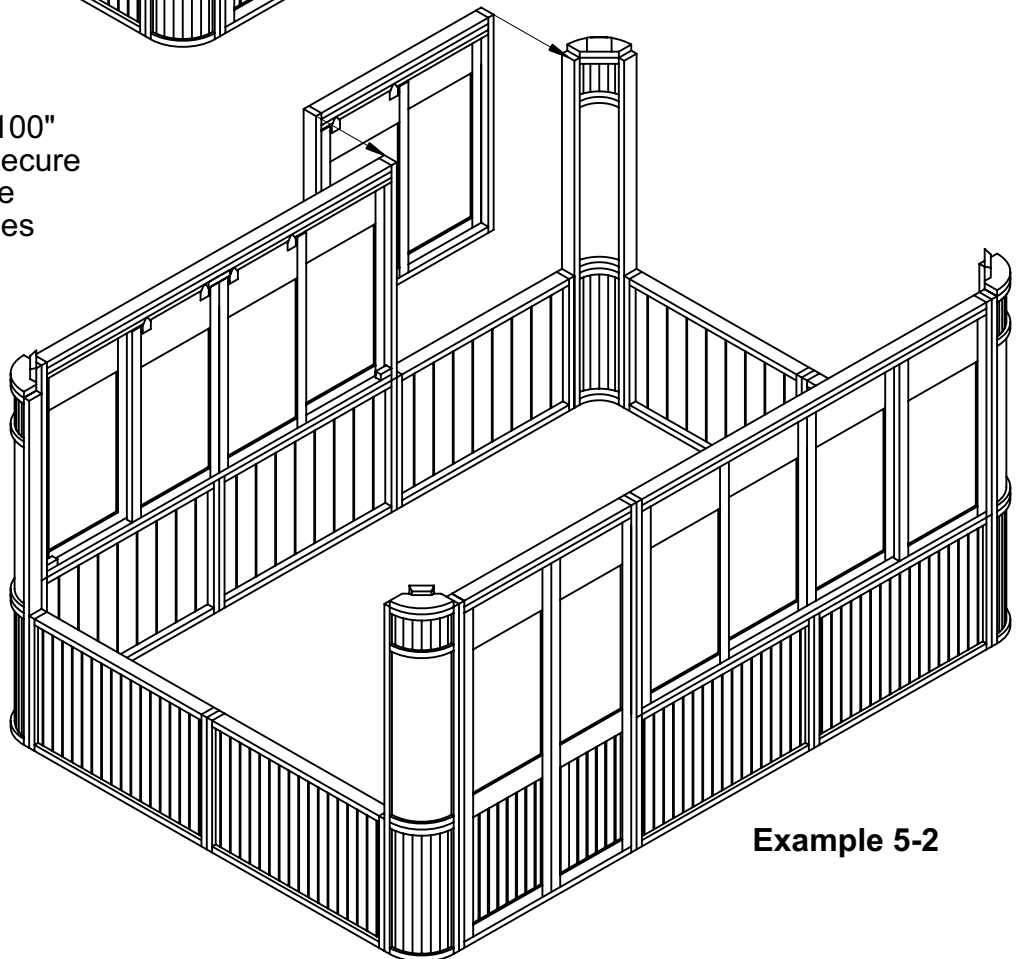


Example 5-1

Step 9

Place a 50" wall between the first 100" wall and freestanding corner and secure with three screws through both side frames into the adjoining side frames and three screws up through the skirt top into the wall bottom.

(See Example 5-2)

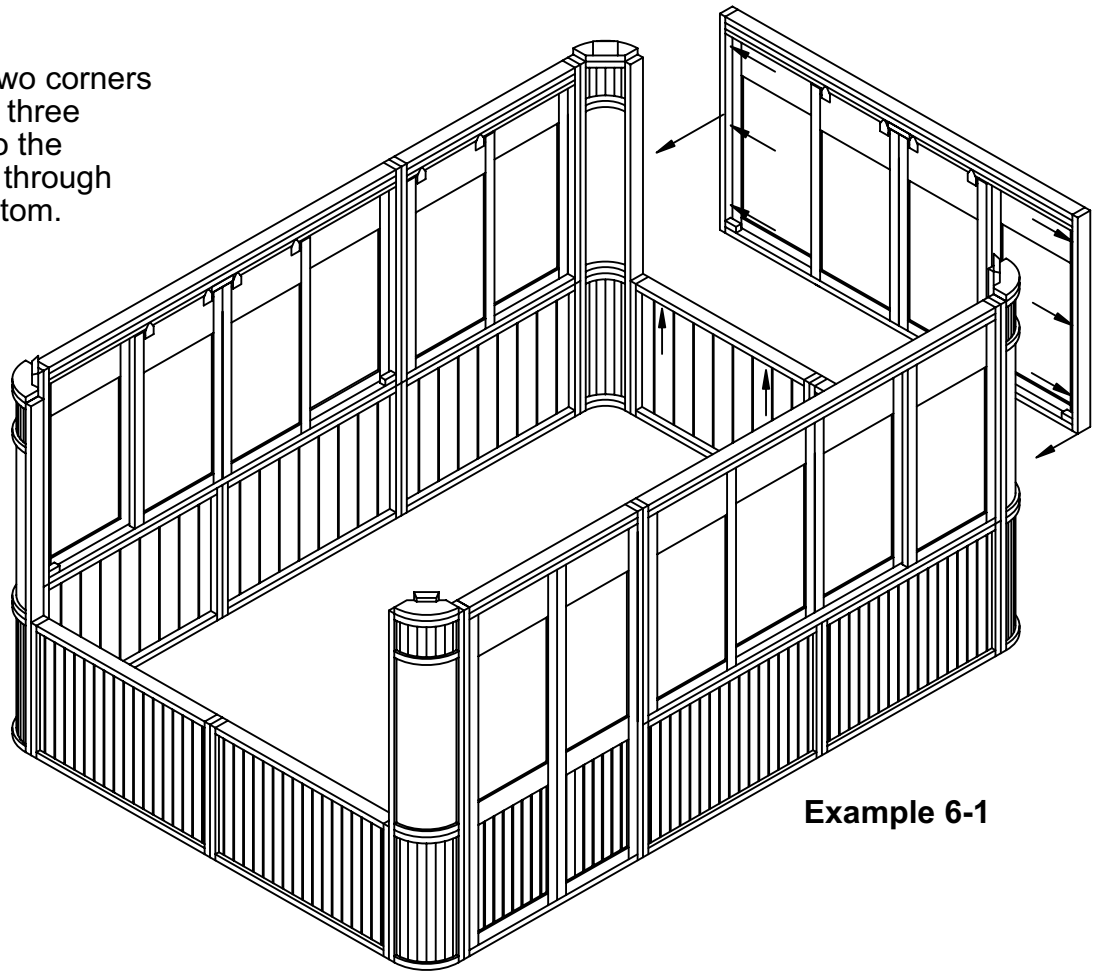


Example 5-2

Step 10

Place a 100" wall between two corners and secure with ten screws, three through each side frame into the corner side frames and four through the skirt top into the wall bottom.

(See Example 6-1)

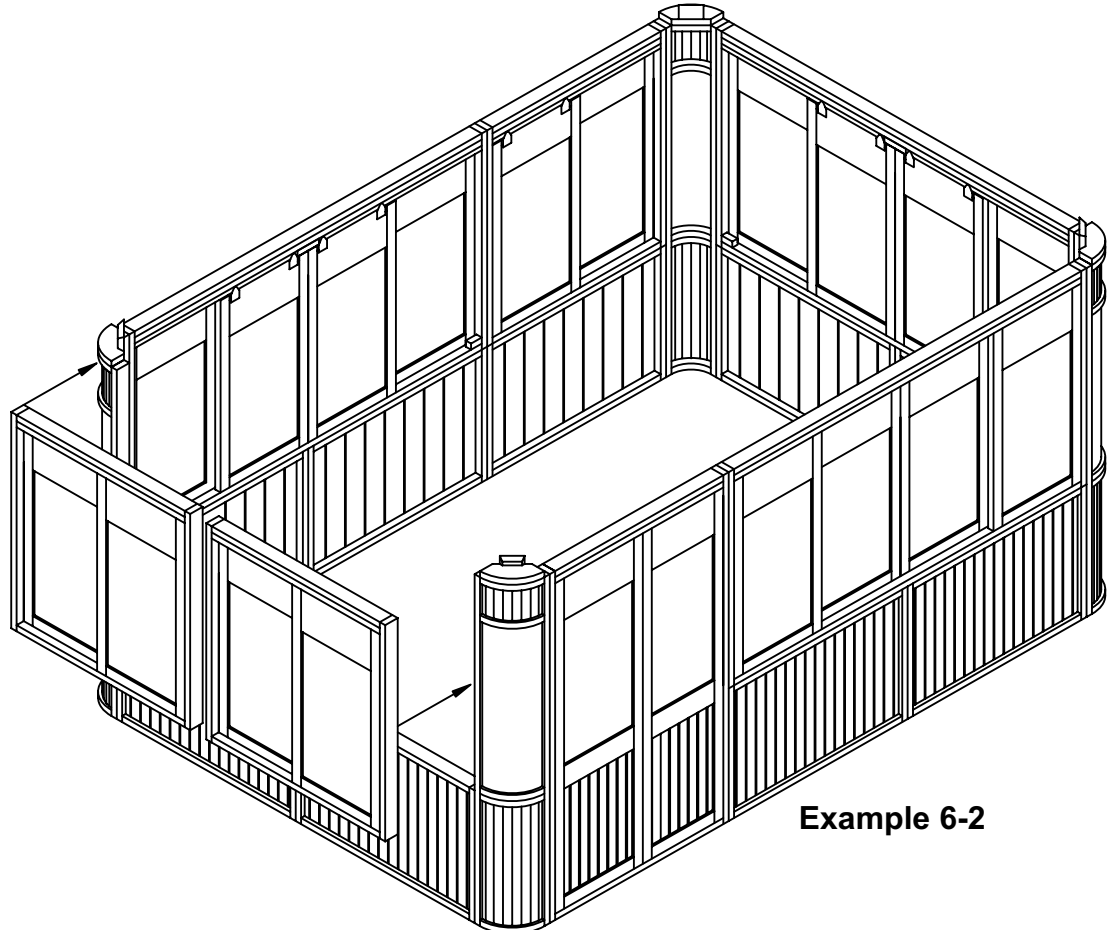


Example 6-1

Step 11

Repeat Step 9 to install the last two 50" wall sections.

(See Example 6-2)



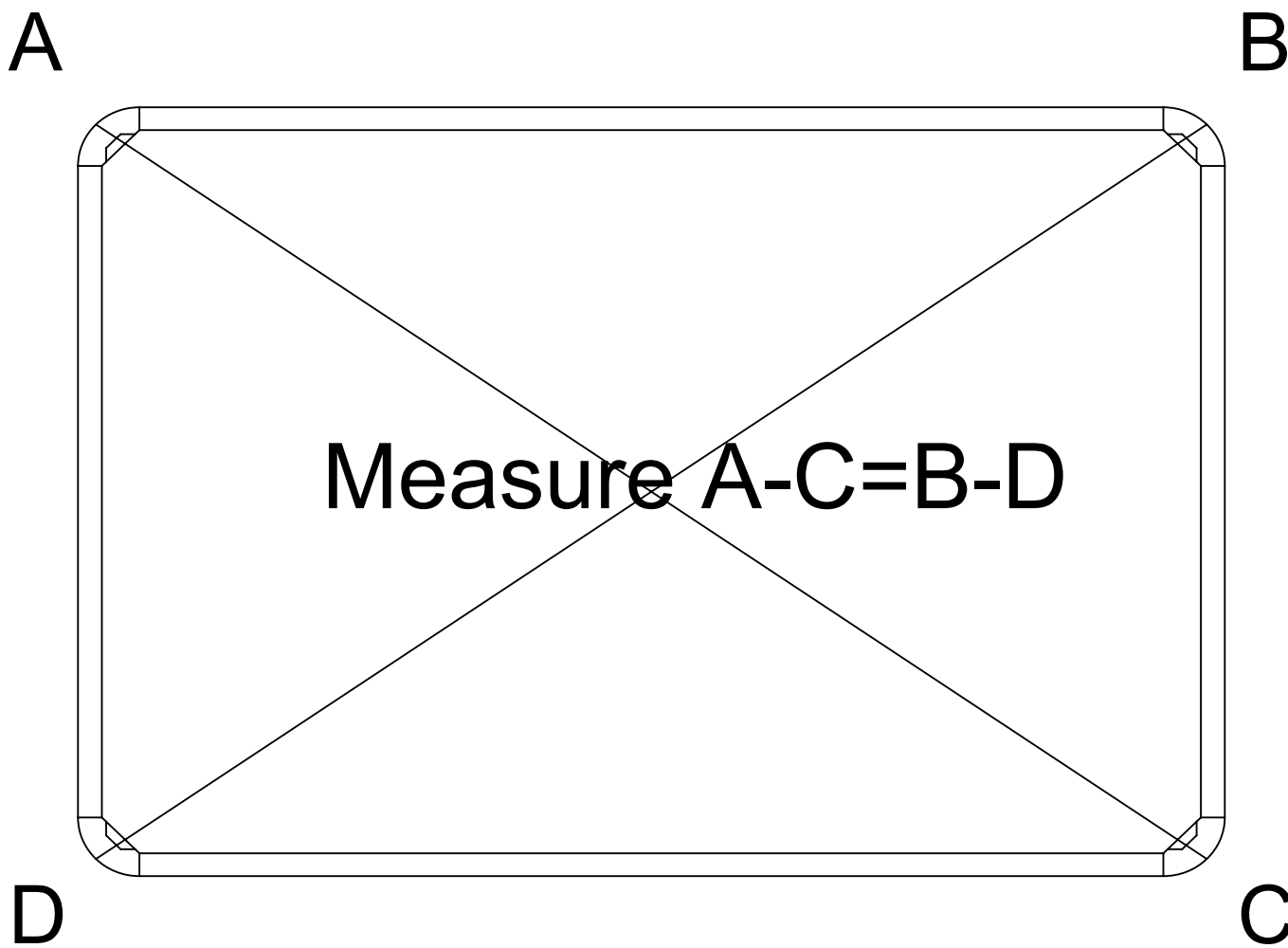
Example 6-2

10 X 14 Roof Assembly Instructions

Roof Assembly - Step 1

Before installing the top plate, measure diagonally across the freestanding round corners to ensure that the gazebo is square. A-C should be the same as B-D. Move wall sections as needed until there is less than 1/4" difference between the two measurements.

(See Example 1)



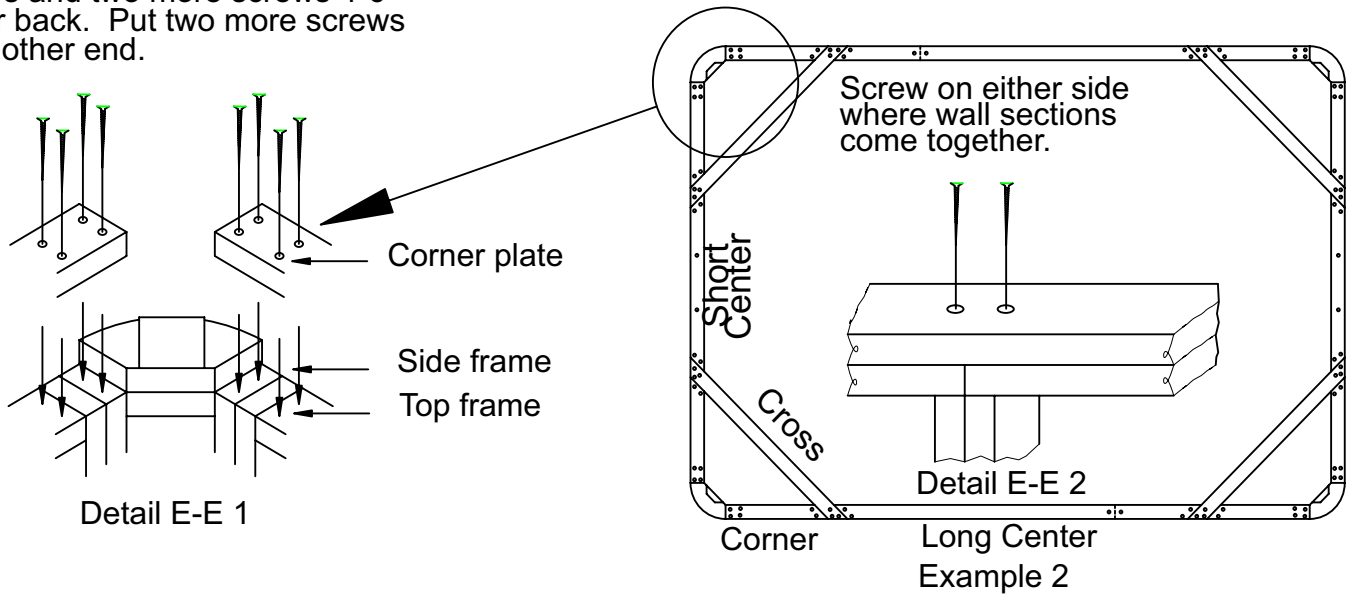
Example 1

Roof Assembly - Step 2

Secure the top plates to the top of the corner/wall sections with six(6) 2 1/2" screws per plate, through the topplate into the corner/wall sections. Topplates should be flush with exterior side of the wall sections. See Detail E-E 1. In addition, screw down on either side where wall sections meet. See Detail E-E 2.

(See Example 2)

Two screws go into the corner topplates into the 2x4 side frames of the round corners and two more screws 4-6" further back. Put two more screws at the other end.

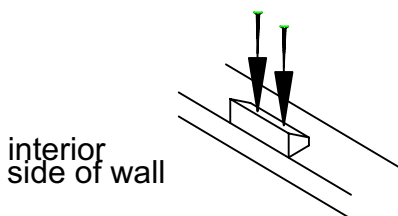


Roof Assembly - Step 3

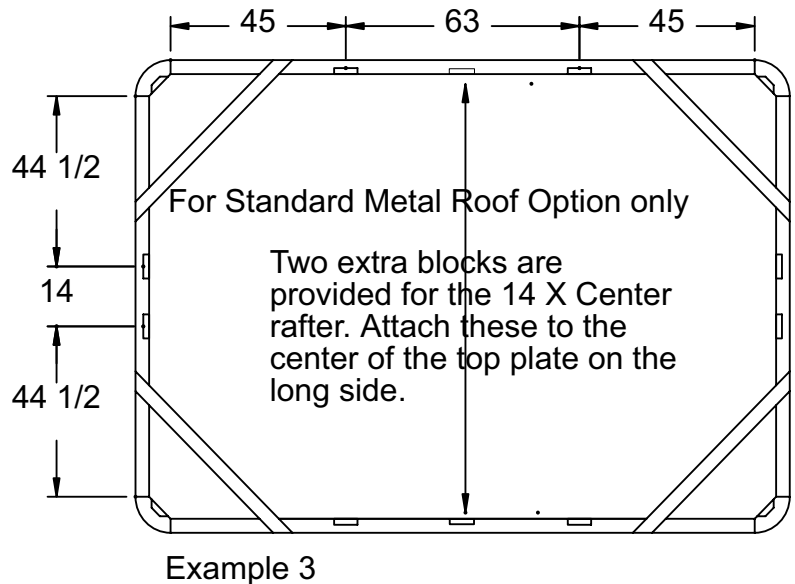
Place the 2x2 wall blocks on the top plate as indicated, flush on the inside. The angled cut should face outward. Secure in place with two screws per block. See detail F-F. Measurements are taken from the junction of the corner and top plate.

(See Example 3)

2 Screws per block



Detail F-F

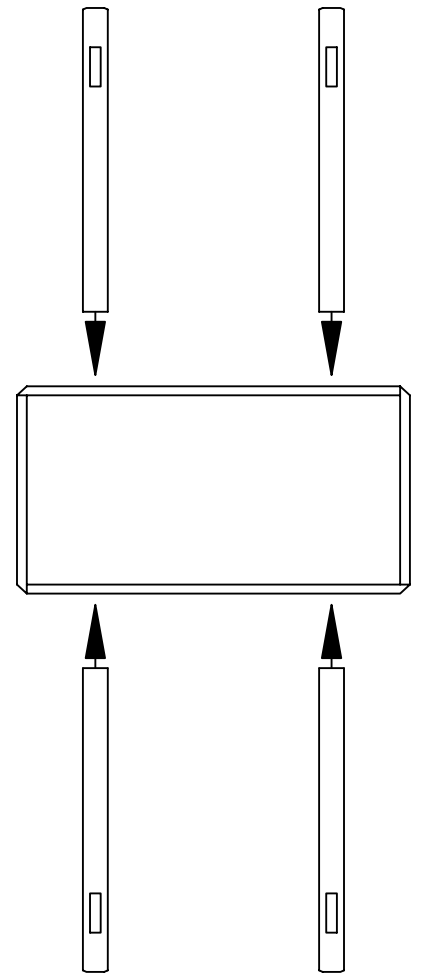
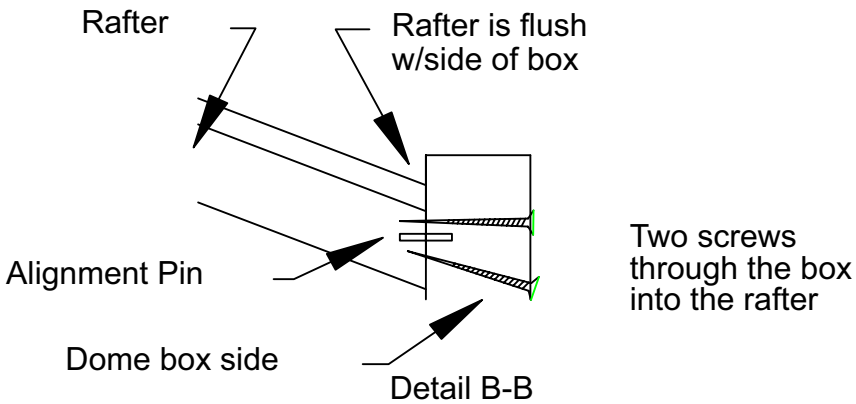


Example 3

Roof Assembly - Step 4

Place the dome box upside down on a level surface. The serial number is on the bottom of the dome box. This should now be facing up. Tap the twelve alignment pins 3/4" into the pre-drilled holes in the dome box, leaving 3/4" exposed. Tap four common rafters onto the long sides and secure with two screws each, through the box sides into the rafters. See detail B-B.

(See Example 4)

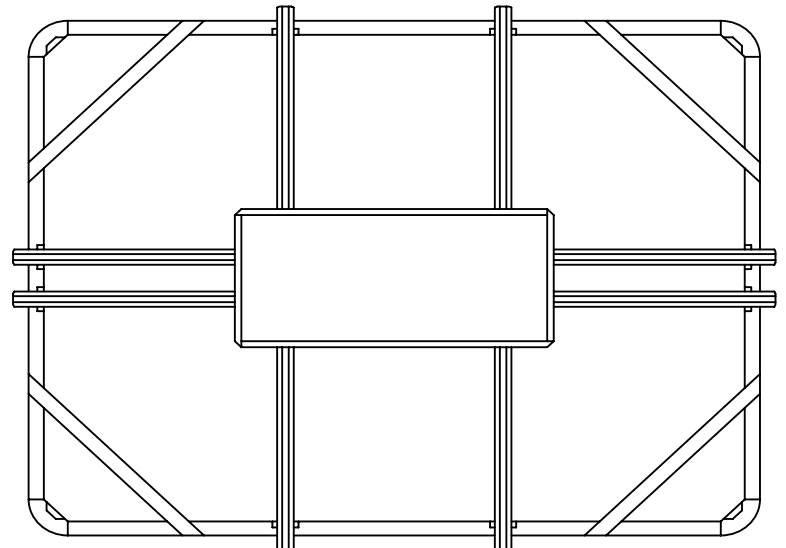
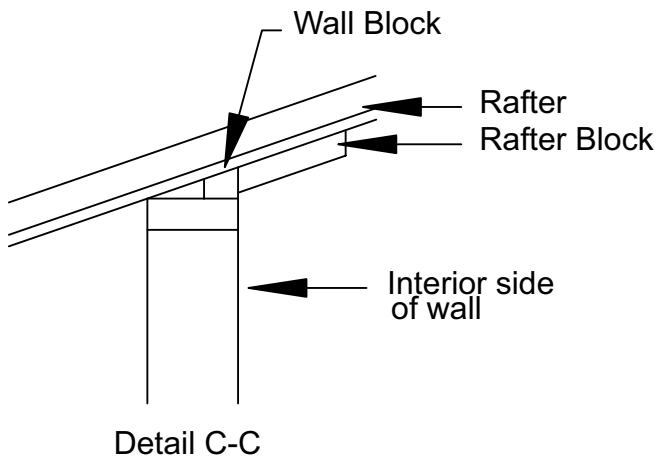


Example 4

Roof Assembly - Step 5

Turn box assembly over and slide onto the top plate and aligned with the wall blocks. See detail C-C. Do not secure at this time. Attach the four remaining common rafters to the ends of the box as in Step 4.

(See Example 5)



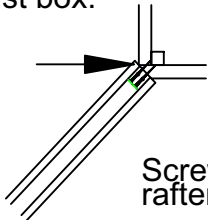
Example 5

Roof Assembly - Step 6

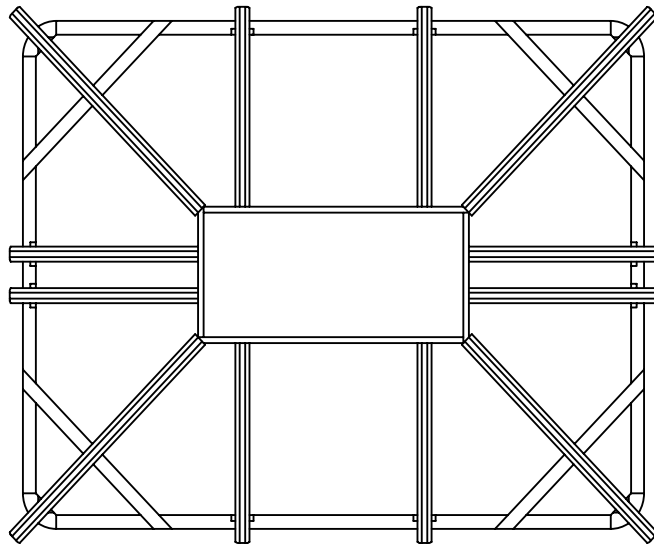
Tap the hip rafters onto the alignment pins in the dome box. See Detail D-D. Secure with one screw. Center rafters over the corner wall block. Do not secure at this time.

(See example 6)

Tap rafter flush against box.



Screw through the rafter into the box.



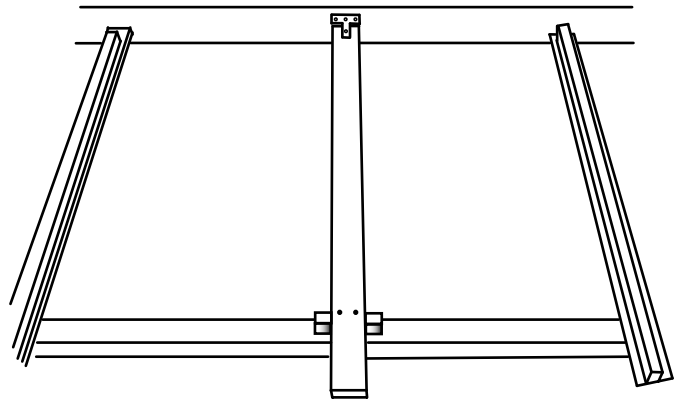
Example 6

Detail D-D

For Standard Metal Roof Option only.

After placing the hip rafters on the roof structure, attach the 'T' plate to the 14 X Center Rafter. Now center and attach this assembly to the dome box. Screw through the Center Rafter into the wall block in two places.

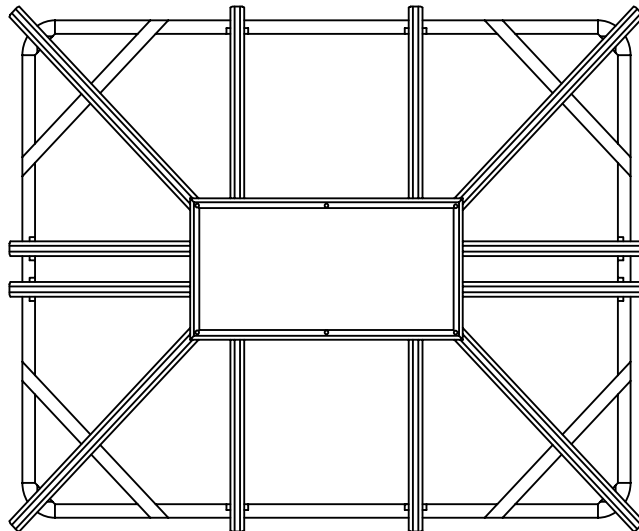
NOTE:
Do not secure the other rafters at this time.



Roof Assembly - Step 7

Place dome over the box. Secure with the six silver screws and washers. Screws should only be hand tightened to prevent cracking. **DO NOT USE POWER TOOLS.**

(See Example 7)

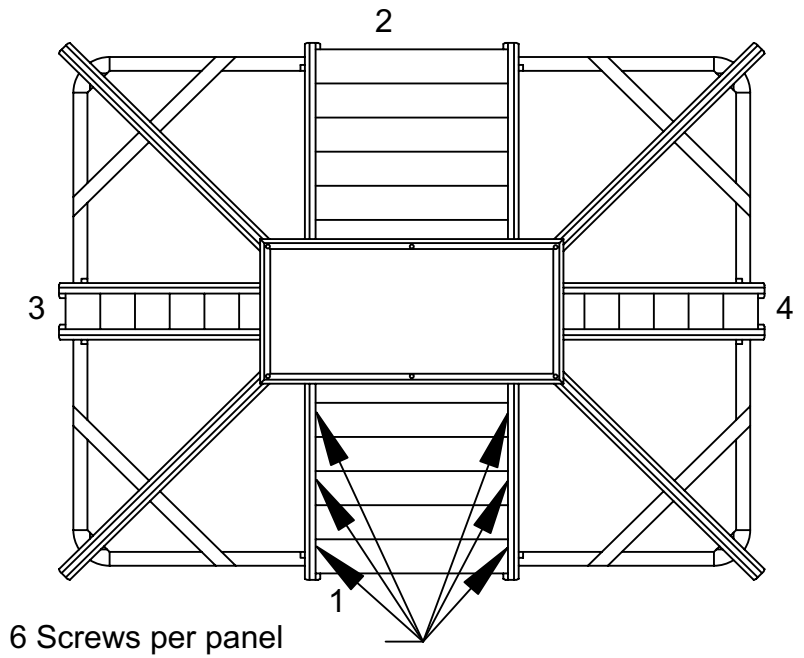


Example 7

Roof Assembly - Step 8

Place a large center roof panel between the common rafters. Slide the roof panel tight against the dome box. Secure with six screws through the pre-drilled holes in the roof panel into the common rafters. Repeat the process for the other center roof panels. Angle cut edge is to the top.

(See Example 8)

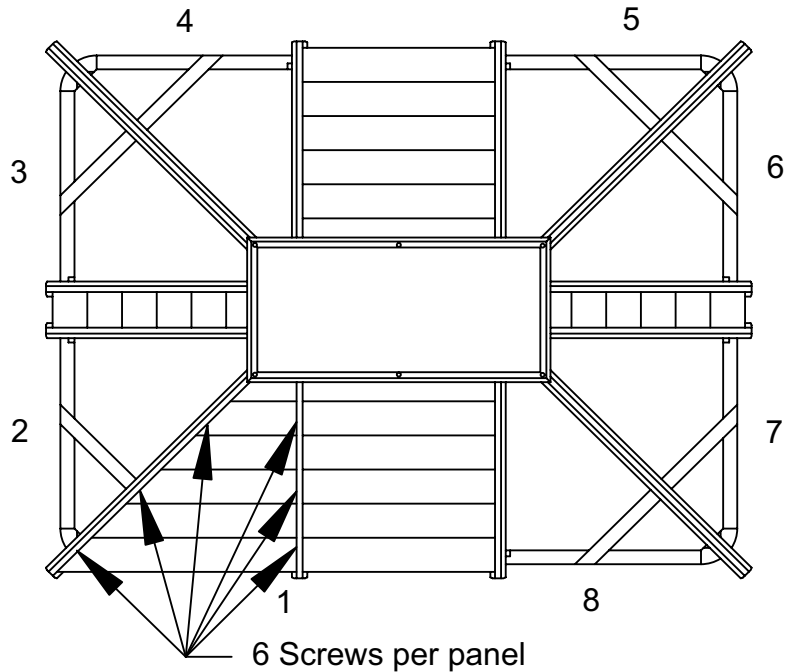


Example 8

Roof Assembly - Step 9

Place angle cut side of the first roof panel on the 1x4 part of the corner rafter. Slide the roof panel tight against the dome box and the common rafter. Secure with six screws through the pre-drilled holes in the roof panel into the rafters. Repeat this process for the remaining seven panels. Start at one corner and work in one direction. Rafters should still be unattached for ease of installation.

(See Example 9)

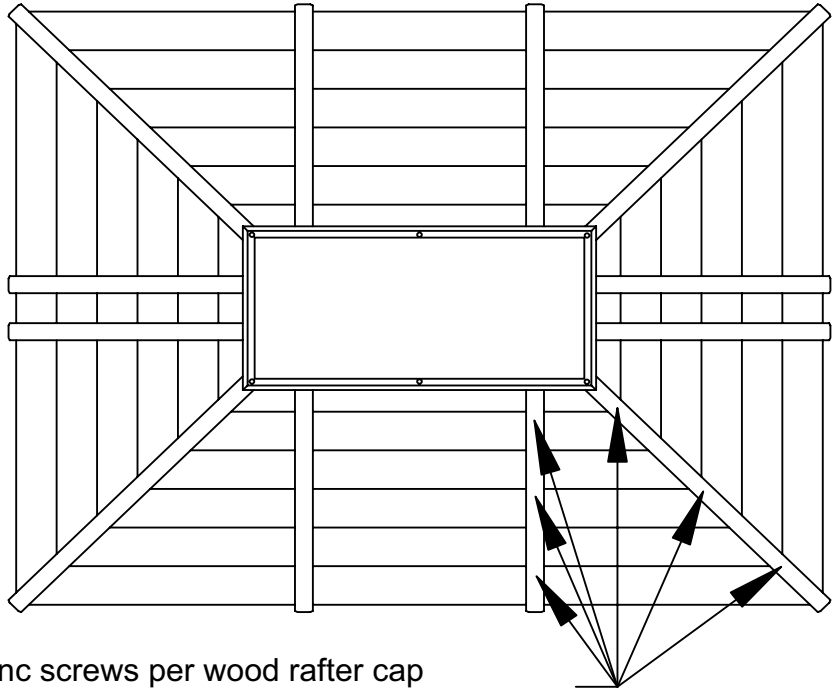


Example 9

Roof Assembly - Step 11

Place all of the rafter caps on top of the roof panels, centered over the rafters. Secure with three screws each.

(See Example 12)



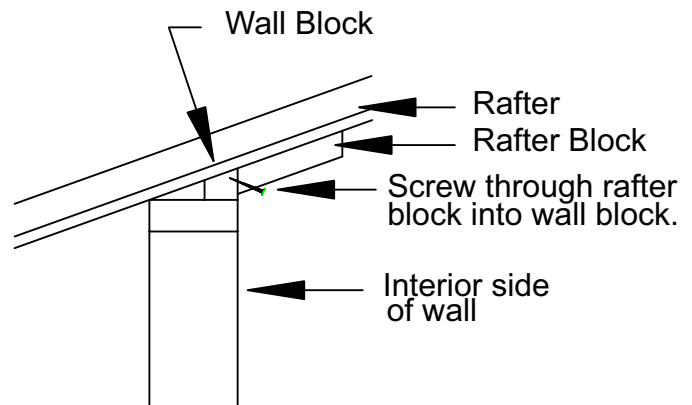
3- 2 1/2" zinc screws per wood rafter cap
6- colored screws per metal rafter cap

Example 12

Roof Assembly - Step 12

From the inside secure the rafter blocks to the wall blocks as indicated. Two screws per block.

(See Example 13)

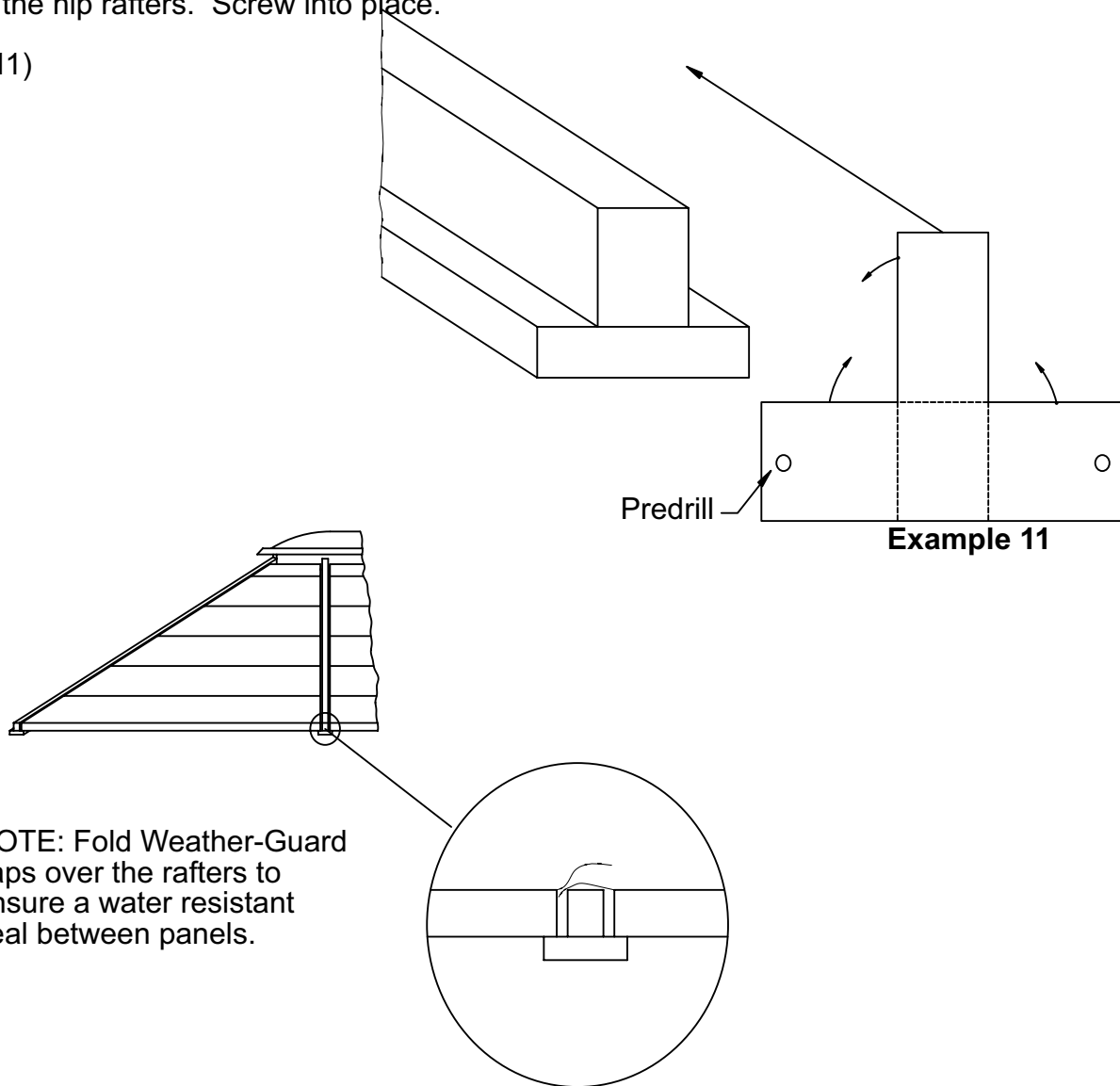


Example 13

Roof Assembly Step 10 - for metal roofs mounted on solid wood

Fold the hip rafter endcaps as indicated. They have been pre-bent to facilitate the process. Use a square edge to bend straight. Pre-drill the sides and slide over the end of the hip rafters. Screw into place.

(See Example 11)



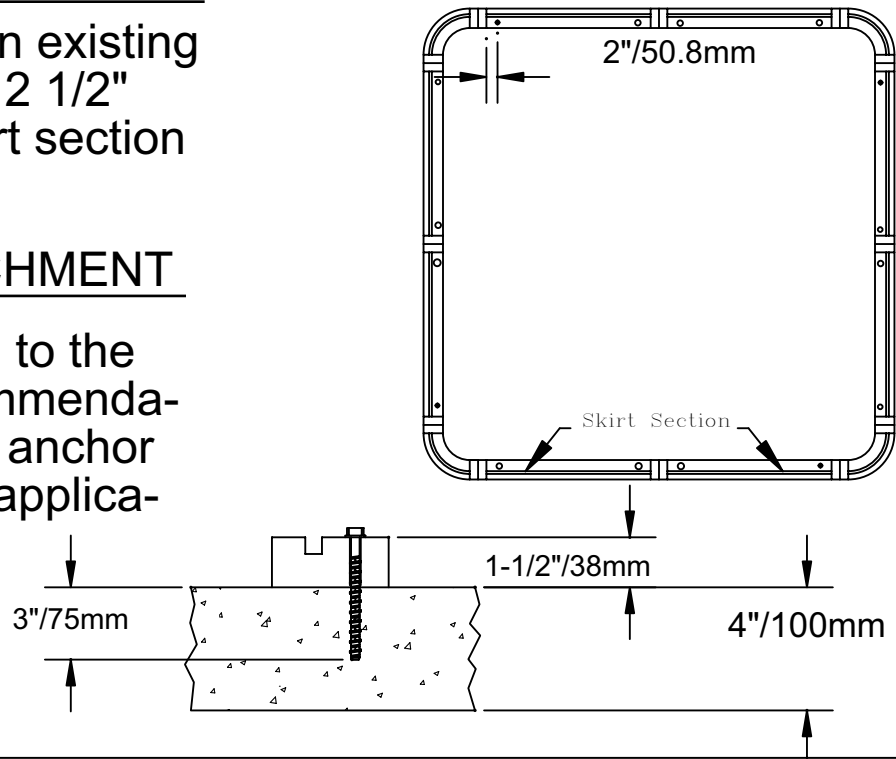
Gazebo Attachment Instructions

WOOD DECK ATTACHMENT

When attaching to an existing wood deck, use two 2 1/2" screws per each skirt section

CONCRETE ATTACHMENT

Drill holes according to the manufacture's recommendation for the concrete anchor system used in this application



Disclosure

This product is a modular kit, not an assembled structure. It is not designed to be a waterproof or permanent structure. Gazebo Works Too, Inc. is not responsible for assembly and/or mounting, although technical assistance is available during regular business hours. Gazebo Works Too, Inc. is not responsible for damage or injury incurred during assembly. Gazebo Works Too, Inc., reserves the right to make design changes for product improvement.

Owner of Documents

These documents, the ideas and artwork incorporated herein are the property of Gazebo Works Too, Inc., and may not be used in whole or in part, for any reason, without the written consent of an authorized agent of Gazebo Works Too, Inc. Instructions (documents) are provided as an instrument of professional service and courtesy.